

TECHNICAL BROCHURE

BGWP23X30 R2

FEATURES

Choice of Pumps:

- PV Vortex
- PS Non-clog
- WW05 Vortex

Ribbed 23x30 Polyethylene Basin

Fully assembled at the factory for simplified installation.

Swing type 2" check valve:

- A9-2PH rubber sleeve type
- A9-2P compression type

Schedule 40, 2" PVC discharge pipe with 1/8" bleed hole is factory installed.

Structural foam cover is strong and corrosion resistant.

Vent grommets for both 2" and 3" vent provided. Adds system flexibility and reduces inventory.

Torque stop insert to stabilize the pump.

Ribbed Basin Inlet Hub is a molded-in, slip-fit type for connection using flexible, slip-fit connectors and clamps (not included).

SPECIFICATIONS

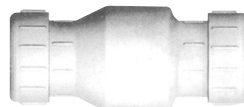
23 x 30 _ Basin:

Ribbed polyethylene basin • Usable capacity: 24.8 gallons

Dimensions: 23" w x 30" h • Inlet: 4" inlet hub



A9-2PH



A9-2P

GWP23x30

ASSEMBLED WASTEWATER PACKAGES

PACKAGE WITH PV VORTEX PUMP

PACKAGE ORDER NUMBER	PUMP	VOLTS	①			
			BASIN	COVER	CHECK VALVE	DISCHARGE PIPE
GWP1144	PV51A1	115	Ribbed Polyethylene 23" Diameter x 30" High with 4" Slip Type Inlet Hub and Pump Torque Stop Insert	18" Structural Foam Cover with Bolts, Sealing Tape and (2) 2" and (1) 3" Vent and Discharge Grommets	A9-2PH 2" Rubber Sleeve Type	2" Diameter x 30" Long Schedule 40 PVC Discharge Pipe
GWP1145	PV51P1					
GWP1241	PV51P1F				A9-2P 2" Compression Type	

PUMP INFORMATION ②

PUMP MODEL	HP	VOLTS	MAXIMUM AMPS	MINIMUM CIRCUIT BREAKER	PHASE	FLOAT SWITCH STYLE	POWER CORD LENGTH	DISCHARGE CONNECTION	MAXIMUM SOLID SIZE
PV51A1	0.5	115	13	20	1	T-spliced wide angle	10'	2"	2"
PV51P1						Piggyback wide angle			
PV51P1F						Piggyback wide angle	20'		

① Information on individual basin components for "replacement parts" may be found in the Basin Section, kit numbers CWK11, CWK12, CWK21, CWK22 and CWK23.

② Additional pump information may be found on the pump bulletin.

PV51 PERFORMANCE CHART - See "Performance Chart Note"

Pipe Length (Feet)	GPM									
	Vertical Head (Feet)									
	2	4	6	8	10	12	14	16	18	20
25	95	89	83	77	70	62	53	45	35	22
50	83	78	73	67	61	55	48	40	31	20
75	76	71	66	61	55	50	43	37	28	18
100	69	65	61	56	51	46	40	33	26	17
150	60	57	53	49	45	40	35	29	23	16
200	54	51	48	44	40	36	32	27	21	14
250	49	47	44	40	37	33	29	24	19	13
300	46	43	40	37	34	31	27	23	18	12

NOTE: Shaded area does not meet 21 GPM. Minimum Scouring Velocity for 2" pipe.

PERFORMANCE CHART NOTE

These charts show actual system performance with friction loss factored in for various discharge pipe lengths. Calculations and performance based on a system with 2" PVC, schedule 40 plastic pipe (C150), (4) 90° elbows, (1) check valve and (1) shut-off valve. Wastewater requires a minimum scouring velocity of 21 gpm for 2" pipe. Shaded areas do not provide minimum scouring velocity - use only for gray water with no solids.

PACKAGE WITH PS PUMP

PACKAGE ORDER NUMBER	PUMP	VOLTS	①			
			BASIN	COVER	CHECK VALVE	DISCHARGE PIPE
GWP1111	PS51P1F	115	Ribbed Polyethylene 23" Diameter x 30" High with 4" Slip Type Inlet Hub and Pump Torque Stop Insert	18" Structural Foam Cover with Bolts, Sealing Tape and (2) 2" and (1) 3" Vent and Discharge Grommets	A9-2PH 2" Rubber Sleeve Type	2" Diameter x 30" Long Schedule 40 PVC Discharge Pipe
GWP1112	PS52P1F	230				
GWP1121	PS41P1F	115			A9-2P 2" Compression Type	
GWP1211	PS51P1F	115				
GWP1212	PS52P1F	230				
GWP1224	PS41A1	115				

PUMP INFORMATION ②

PUMP MODEL	HP	VOLTS	MAXIMUM AMPS	MINIMUM CIRCUIT BREAKER	PHASE	FLOAT SWITCH STYLE	POWER CORD LENGTH	DISCHARGE CONNECTION	MAXIMUM SOLID SIZE
PS41A1	0.4	115	10	20	1	T-spliced wide angle	10'	2"	2"
PS41P1F						Piggyback wide angle	20'		
PS51P1F	0.5	230	13	15					
PS52P1F			6.5						

① Information on individual basin components for "replacement parts" may be found in the Basin Section, kit numbers CWK11, CWK12, CWK21, CWK22 and CWK23.

② Additional pump information may be found on the pump bulletin.

PS41 PERFORMANCE CHART - See "Performance Chart Note"

Pipe Length (Feet)	GPM									
	Vertical Head (Feet)									
	2	4	6	8	10	12	14	16	18	20
25	96	88	82	74	65	54	43	33	24	14
50	83	77	70	63	56	47	38	30	22	13
75	74	68	62	56	49	42	35	28	21	13
100	67	62	57	51	45	39	33	26	19	12
150	57	53	48	44	39	34	29	23	17	11
200	51	47	43	39	35	31	26	22	16	10
250	46	43	39	36	33	28	24	21	16	10
300	43	39	37	34	30	27	23	19	15	9

PS51 PERFORMANCE CHART - See "Performance Chart Note"

Pipe Length (Feet)	GPM									
	Vertical Head (Feet)									
	2	4	6	8	10	12	14	16	18	20
25	105	99	91	84	75	65	55	45	35	25
50	90	85	78	71	63	56	48	40	32	24
75	80	74	69	62	57	50	44	37	30	22
100	72	67	62	57	52	46	40	34	28	21
150	61	58	54	49	45	40	35	31	25	18
200	54	51	48	44	40	36	32	28	23	17
250	50	47	44	40	37	34	30	26	21	16
300	46	43	40	37	34	31	28	24	20	15

NOTE: Shaded area does not meet 21 GPM. Minimum Scouring Velocity for 2" pipe.

PACKAGE WITH WW05 PUMP

PACKAGE ORDER NUMBER	PUMP	VOLTS	①			
			BASIN	COVER	CHECK VALVE	DISCHARGE PIPE
GWP1131	WW0511AC	115	Ribbed Polyethylene 23" Diameter x 30" High with 4" Slip Type Inlet Hub and Pump Torque Stop Insert	18" Structural Foam Cover with Bolts, Sealing Tape and (2) 2" and (1) 3" Vent and Discharge Grommets	A9-2PH 2" Rubber Sleeve Type	2" Diameter x 30" Long Schedule 40 PVC Discharge Pipe
GWP1132	WW0512AF	230				
GWP1231	WW0511AC	115			A9-2P 2" Compression Sleeve Type	

PUMP INFORMATION ②

PUMP MODEL	HP	VOLTS	MAX. AMPS	MIN. CIRCUIT BREAKER	PHASE	FLOAT SWITCH STYLE	POWER CORD LENGTH	DISCHARGE CONNECTION	MAXIMUM SOLID SIZE
WW0511AC	0.5	115	13	20	1	Piggyback wide angle	20'	2"	2"
WW0512AF		230	6.5	15					

① Information on individual basin components for "replacement parts" may be found in the Basin Section, kit numbers CWK11, CWK12, CWK21, CWK22 and CWK23.

② Additional pump information may be found on the pump bulletin.

WW05 PERFORMANCE CHART - See "Performance Chart Note"

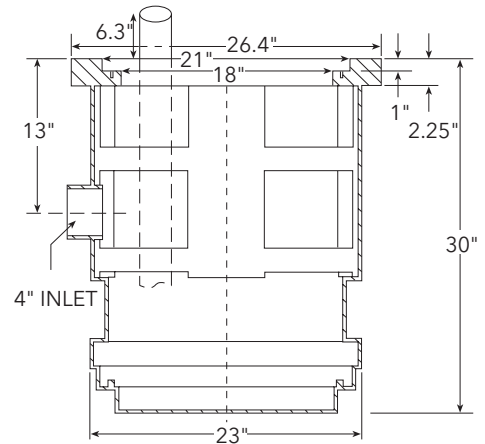
Pipe Length (Feet)	GPM						
	Vertical Head (Feet)						
	4	6	8	10	12	14	16
25	75	68	62	52	40	27	13
50	67	61	54	45	35	24	12
75	61	55	48	40	32	22	11
100	56	50	44	37	29	21	11
150	48	43	38	32	26	18	10
200	43	39	34	29	23	17	10
250	39	35	31	26	21	15	10
300	35	32	29	24	20	14	10

NOTE: Shaded area does not meet 21 GPM. Minimum Scouring Velocity for 2" pipe.

NOMENCLATURE

CHARACTER	CODE	
1 - 3	GWP = GP	Assembled Vortex Wastewater Package
4 and 5	11	23" x 30" Ribbed basin with A9-2PH check valve
	12	23" x 30" Ribbed basin with A9-2P check valve
6 and 7	11	PS51P1F 20' Piggyback wide angle
	12	PS52P1F 20' Piggyback wide angle
	21	PS41P1F 20' Piggyback wide angle
	24	PS41A1 10' T- Spliced wide angle
	31	WW0511AC 20' Piggyback wide angle
	32	WW0512AF 20' Piggyback wide angle
	41	PV51P1F 20' Piggyback wide angle
	44	PV51A1 10' T- Spliced wide angle
	45	PV51P1 10' Piggyback wide angle

Ribbed 23 x 30 Basin Dimensions



For additional basin kit data, see basin bulletins BCPCWK11.



Xylem Inc.
2881 East Bayard Street Ext., Suite A
Seneca Falls, NY 13148
Phone: (866) 325-4210
Fax: (888) 322-5877
www.gouldswatertechnology.com

Goulds is a registered trademark of Goulds Pumps, Inc. and is used under license.
© 2015 Xylem Inc. BGWP23X30 R2 April 2015