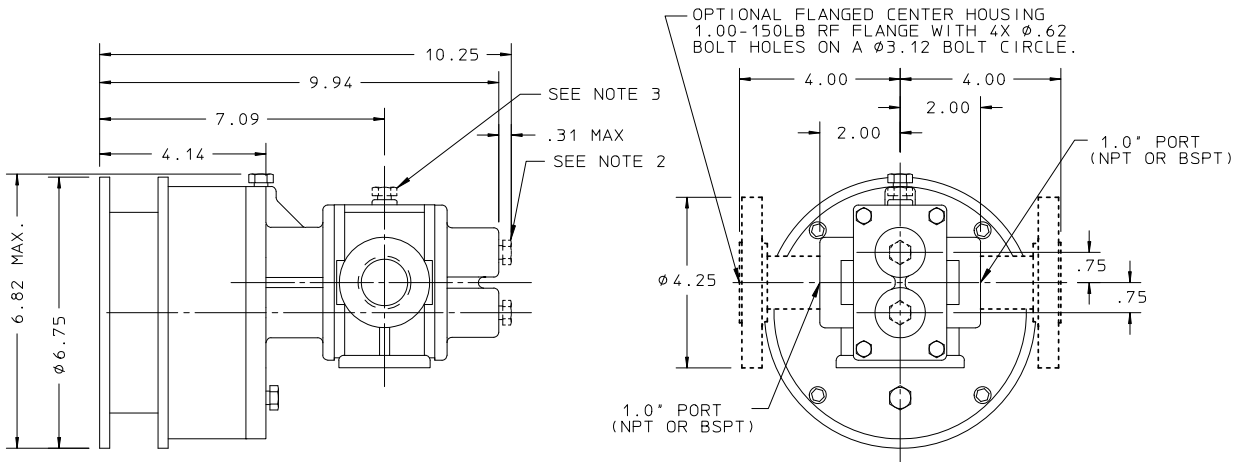
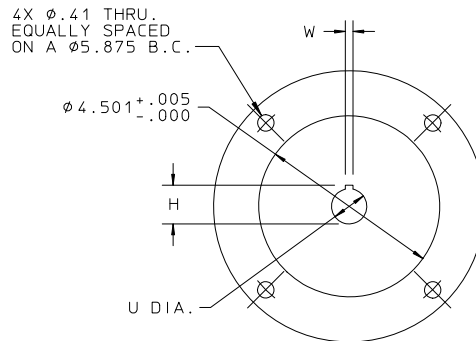


Table of Contents

| | |
|--|---|
| Mtd Base and Pedestal 182-184T Frame Motor | 6 |
| Pump Unmtd for 56C 143TC- 184C Fr Motor | 1 |
| Pump Unmtd for 80C Fr Motor | 2 |
| Pump Unmtd for 90C Frame Motor | 3 |
| Pump Mtd for 56C 143TC - 184C Fr Motor | 4 |
| Mtd Base and Pedestal 56- 145T Fr Motor | 5 |
| Mtd Base and Pedestal 182- 184T Fr Motor | 6 |
| Pedestal Mounted | 7 |



| MOTOR FRAME | U DIA. SHAFT | W KEY WIDTH | H KEY HIGHT |
|-------------|--------------|-------------|-------------|
| 56C | .625 | .188 | .71 |
| 143TC | .875 | | .96 |
| 145TC | | | |
| 182C | | | |
| 184C | | | |



MOTOR MOUNTING

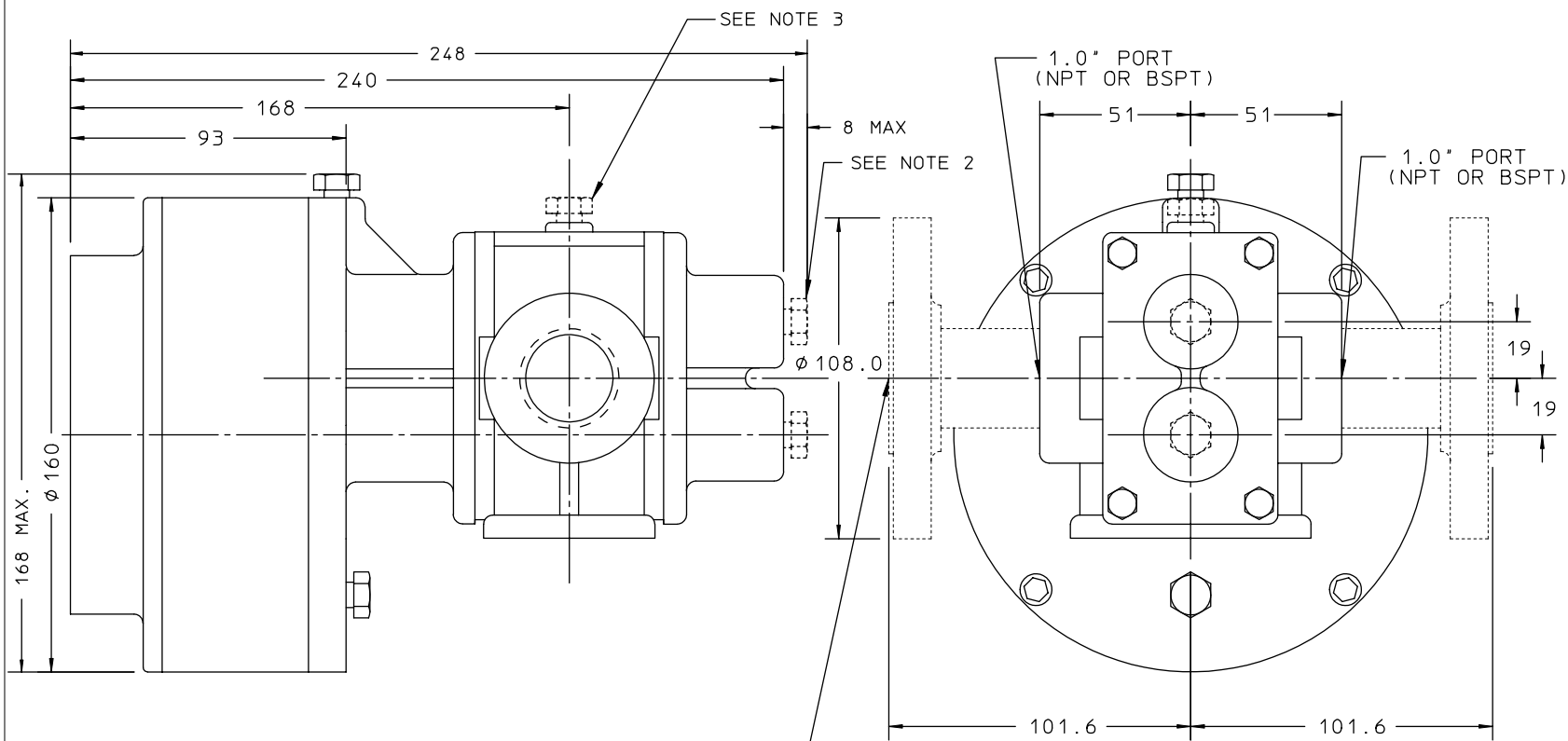
NOTES:

- SUCTION AND DISCHARGE PORTS DEPENDENT UPON PUMP SHAFT ROTATION.
- BEARING FLUSH AND DRAIN PLUGS (.12 NPT) ARE OPTIONAL.
- VENT PLUG (.12 NPT) OPTIONAL.
- MUST USE FOOT MOUNTED C-FACE MOTOR OF SPECIFIED FRAME SIZE.

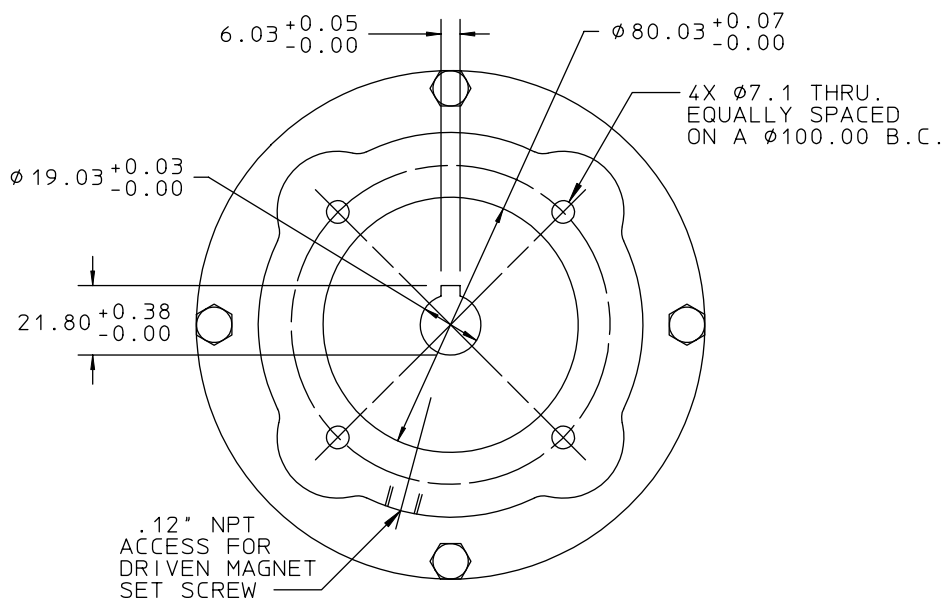
| | |
|--|--|
| ALL DIMENSIONS ARE IN INCHES | |
| Isochem | PULSAFEEDER A Unit of IDEX Corporation |
| MODEL GMC8 PUMP UNMTD FOR 56C, 143TC - 184C FR MOTOR | |
| DWN BY: CLA | SD2569 |
| DATE: 10/22/97 | |

| | |
|--------------|------------------|
| SECTION/PAGE | MODEL GMC8 / 300 |
| EFFECTIVE | 08/14/13 |
| SUPERSEDES | 03/27/01 |
| REF | REVISION UPDATE |
| | DATE |

| | |
|-----------------------------|----------|
| REMOVED GM FROM DESCRIPTION | 08/14/13 |
| REVISION UPDATE | DATE |



OPTIONAL FLANGED CENTER HOUSING
 1.00-150LB RF FLANGE WITH 4X $\phi 15.7$
 BOLT HOLES ON A $\phi 79.4$ BOLT CIRCLE.



MOTOR MOUNTING

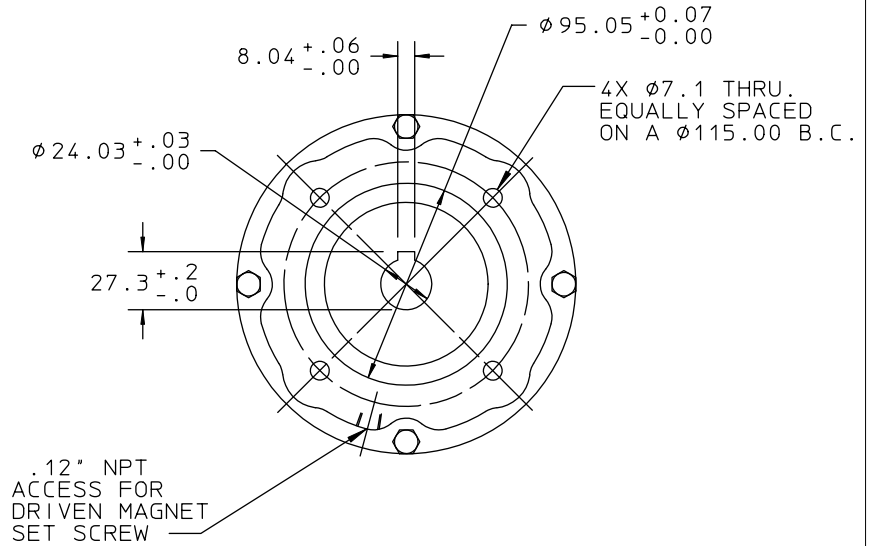
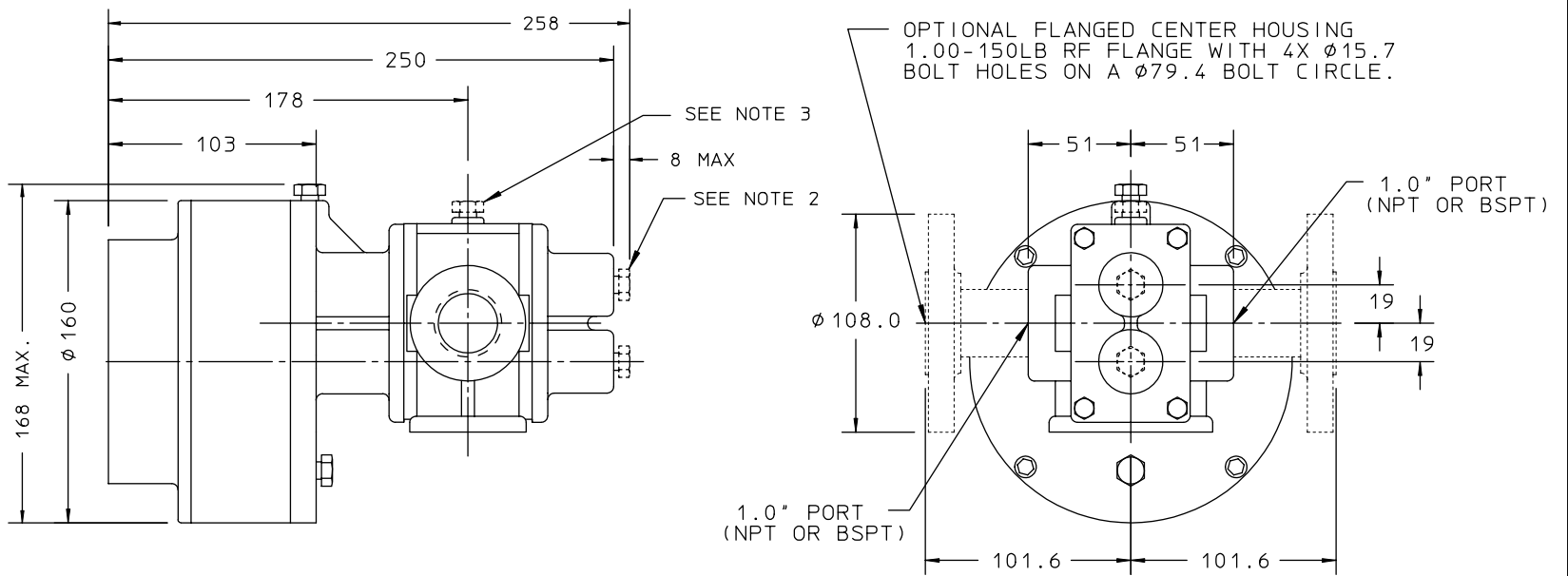
NOTES:

1. SUCTION AND DISCHARGE PORTS DEPENDENT UPON PUMP SHAFT ROTATION.
2. BEARING FLUSH AND DRAIN PLUGS (.12 NPT) ARE OPTIONAL.
3. VENT PLUG (.12 NPT) OPTIONAL.
4. MUST USE FOOT MOUNTED 80 FRAME C-FACE MOTOR.
5. FLANGE SIZE IS IN INCHES.

| | |
|---|--|
| ALL DIMENSIONS ARE IN MM | |
| Isoschem | PULSAFEEDER A Unit of IDEX Corporation |
| MODEL GMC8 PUMP UNMTD FOR 80C FRAME MOTOR | |
| DWN BY: CLA | SD2866 |
| DATE: 09/15/97 | |

| | | |
|-----|-----------------------|----------|
| △ | ADDED OPTIONAL FLANGE | 03/27/01 |
| REF | REVISION UPDATE | DATE |

| | |
|--------------|-----------------|
| SECTION/PAGE | MODEL GM8 / 301 |
| EFFECTIVE | 03/27/01 |
| SUPERSEDES | 04/01/98 |



MOTOR MOUNTING

NOTES:

1. SUCTION AND DISCHARGE PORTS DEPENDENT UPON PUMP SHAFT ROTATION.
2. BEARING FLUSH AND DRAIN PLUGS (.12 NPT) ARE OPTIONAL.
3. VENT PLUG (.12 NPT) OPTIONAL.
4. MUST USE FOOT MOUNTED 90 FRAME C-FACE MOTOR.
5. FLANGE SIZE IS IN INCHES.


| | | |
|-----|---------------------------------------|----------|
| REF | ADDED OPTIONAL FLANGE REVISION UPDATE | 03/27/01 |
| | | DATE |

| | |
|--------------|-----------------|
| SECTION/PAGE | MODEL GM8 / 302 |
| EFFECTIVE | 03/27/01 |
| SUPERSEDES | 04/01/98 |

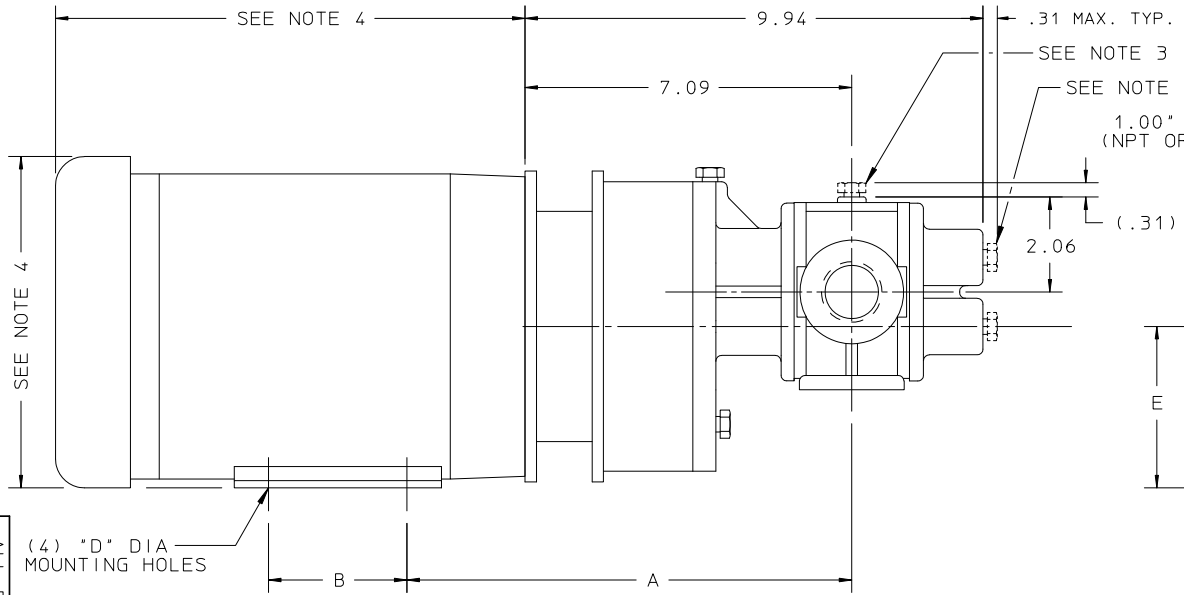
| | |
|---|--|
| ALL DIMENSIONS ARE IN MM | |
| Isochem | PULSAFEEDER A Unit of IDEX Corporation |
| MODEL GMC8 PUMP UNMTD FOR 90C FRAME MOTOR | |
| DWN BY: CLA | SD2867 |
| DATE: 09/15/97 | |

| | | | | |
|-----|---|-----------------------------|----------|------|
| REF | Δ | CORRECTED PORT SIZE CALLOUT | 03/27/14 | DATE |
| | | REVISION UPDATE | | |

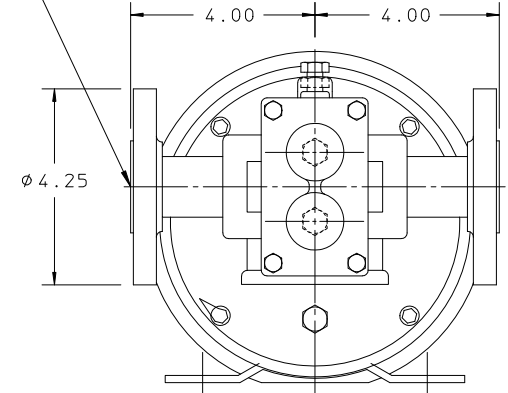
| | |
|--------------|------------------|
| SECTION/PAGE | MODEL GMC8 / 303 |
| EFFECTIVE | 03/27/14 |
| SUPERSEDES | 08/14/13 |

| | |
|---|---|
| MODEL GMC8 |  |
| PUMP MTD FOR 56C, 143TC - 184C FR MOTOR | |
| DWN BY: PFW | |
| DATE: 11/09/94 | |
| SD2572 | |

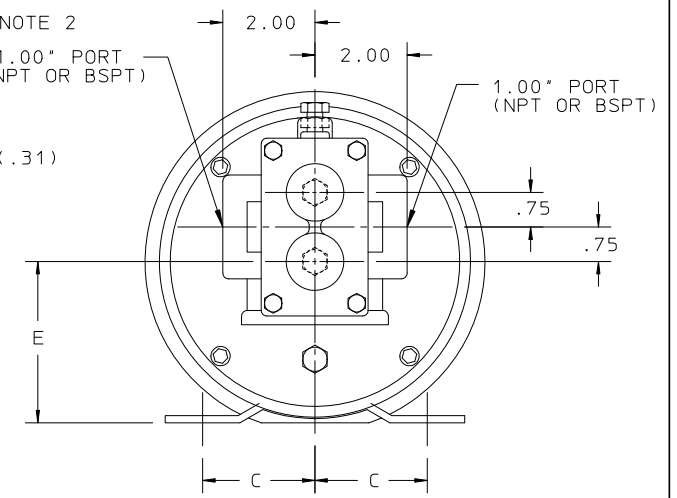
ALL DIMENSIONS ARE IN INCHES



PORT CONNECTIONS
1.00-150LB RF FLANGE WITH 4X ϕ .62 BOLT HOLES ON A ϕ 3.12 BOLT CIRCLE.



VIEW WITH FLANGED CENTER HOUSING

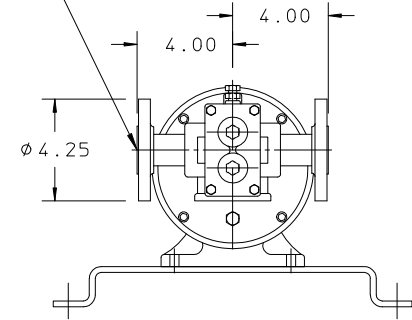


NOTES:

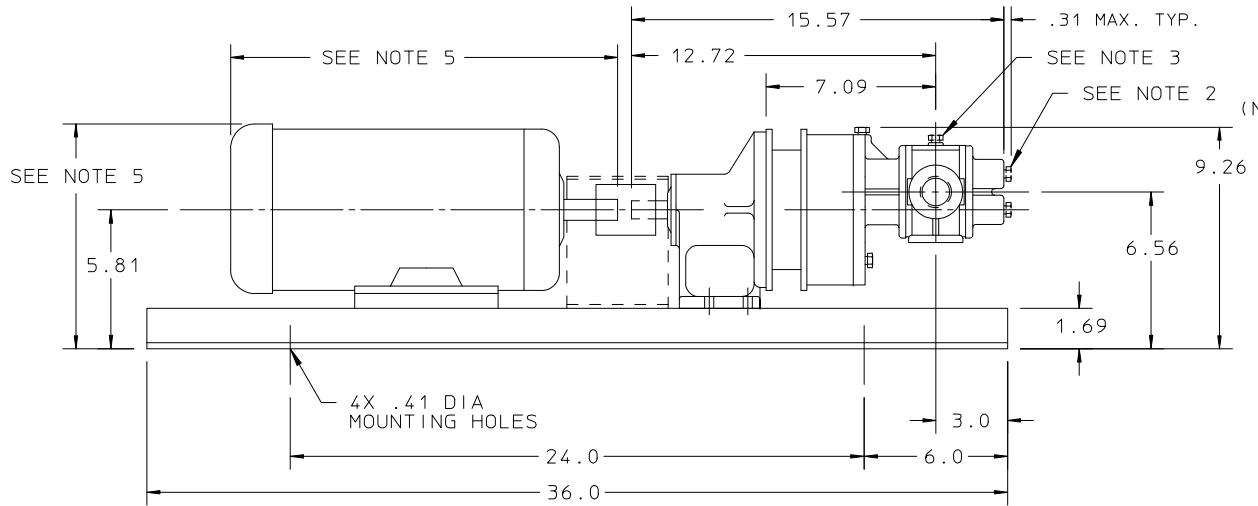
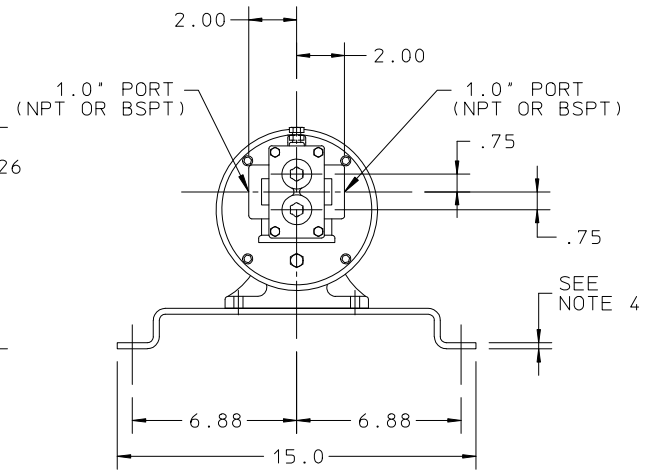
- SUCTION AND DISCHARGE PORTS DEPENDENT UPON PUMP SHAFT ROTATION.
- BEARING FLUSH AND DRAIN PLUGS (.12 NPTF) ARE OPTIONAL.
- VENT PLUG (.12 NPTF) OPTIONAL.
- MOTOR DIMENSIONS VARY BY MANUFACTURER. CONSULT MANUFACTURERS DRAWING FOR SPECIFICS.

| MOTOR FRAME | A | B | C | D | E |
|-------------|------|------|------|-----|------|
| 56C | 9.72 | 3.00 | 2.44 | .34 | 3.50 |
| 143TC | 9.72 | 4.00 | 2.75 | .34 | 3.50 |
| 145TC | 9.72 | 5.00 | 2.75 | .34 | 3.50 |
| 182C | 9.72 | 4.50 | 3.75 | .41 | 4.50 |
| 184C | 9.72 | 5.50 | 3.75 | .41 | 4.50 |

PORT CONNECTIONS
 1.00-150LB RF FLANGE WITH 4X ϕ .62
 BOLT HOLES ON A ϕ 3.12 BOLT CIRCLE.



VIEW WITH FLANGED
 CENTER HOUSING



NOTES:

1. SUCTION AND DISCHARGE PORTS ARE DEPENDENT UPON PUMP SHAFT ROTATION.
2. BEARING FLUSH AND DRAIN PLUGS (.12 NPT) ARE OPTIONAL.
3. VENT PLUG (.12 NPT) OPTIONAL.
4. MATERIAL THICKNESS:
 STEEL .25 THK.
 STAINLESS STEEL .19 THK.
5. MOTOR DIMENSIONS VARY BY MANUFACTURER.
 CONSULT MANUFACTURER'S DRAWING FOR SPECIFICS.

ALL DIMENSIONS ARE IN INCHES

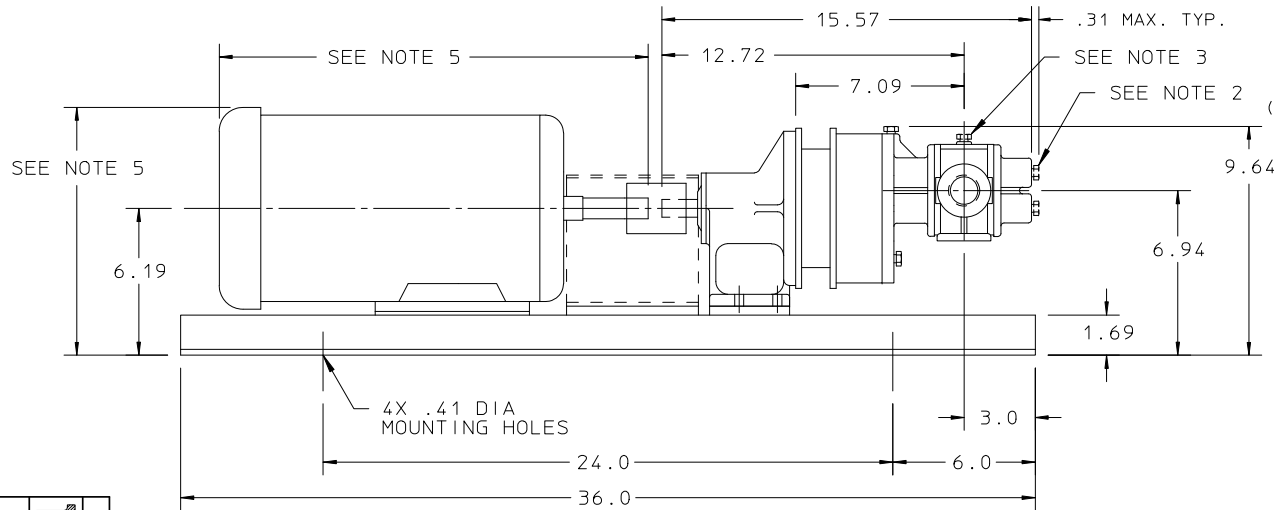
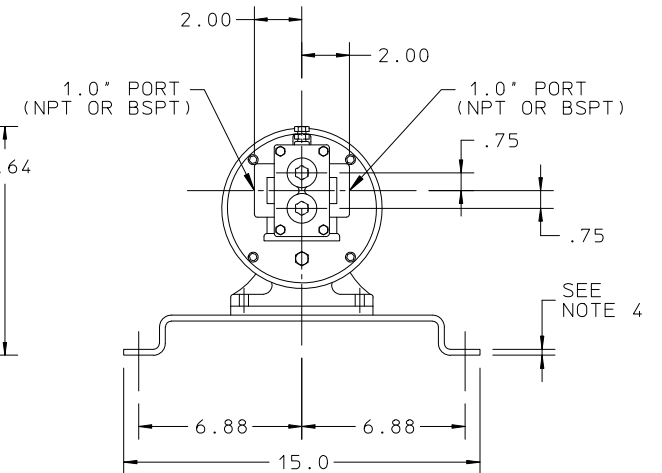
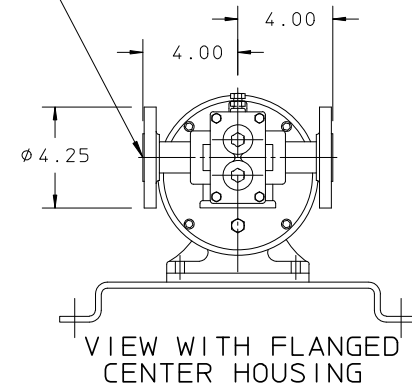
Ischem
 A Unit of IDEX Corporation
WALSARTER

MODEL GMC8
 MTD BASE AND PEDESTAL
 56-145T FRAME MOTORS

DWN BY: JEM JR
 DATE: 10/27/89
 SD22681

| | | | | |
|------|--|----------|---------------------------|------------------|
| REF | REMOVED GM FROM DESCRIPTION REVISION UPDATE | 08/14/13 | SECTION/PAGE EFFECTIVE | MODEL GMC8 / 304 |
| DATE | | | 08/14/13 | 03/27/01 |
| | | | SUPERSEDES | |

PORT CONNECTIONS
 1.00-150LB RF FLANGE WITH 4X ϕ .62
 BOLT HOLES ON A ϕ 3.12 BOLT CIRCLE.



NOTES:

1. SUCTION AND DISCHARGE PORTS ARE DEPENDENT UPON PUMP SHAFT ROTATION.
2. BEARING FLUSH AND DRAIN PLUGS (.12 NPT) ARE OPTIONAL.
3. VENT PLUG (.12 NPT) OPTIONAL.
4. MATERIAL THICKNESS:
 STEEL .25 THK.
 STAINLESS STEEL .19 THK.
5. MOTOR DIMENSIONS VARY BY MANUFACTURER.
 CONSULT MANUFACTURER'S DRAWING FOR SPECIFICS.

REF: REMOVED GM FROM DESCRIPTION
 REVISION UPDATE

DATE: 08/14/13

SECTION/PAGE: MODEL GMC8 / 305

EFFECTIVE DATE: 08/14/13

SUPERSEDES: 03/27/01

ALL DIMENSIONS ARE IN INCHES

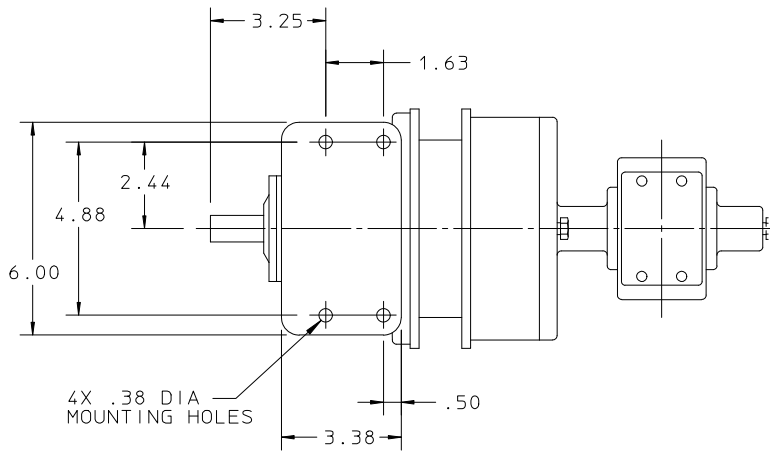
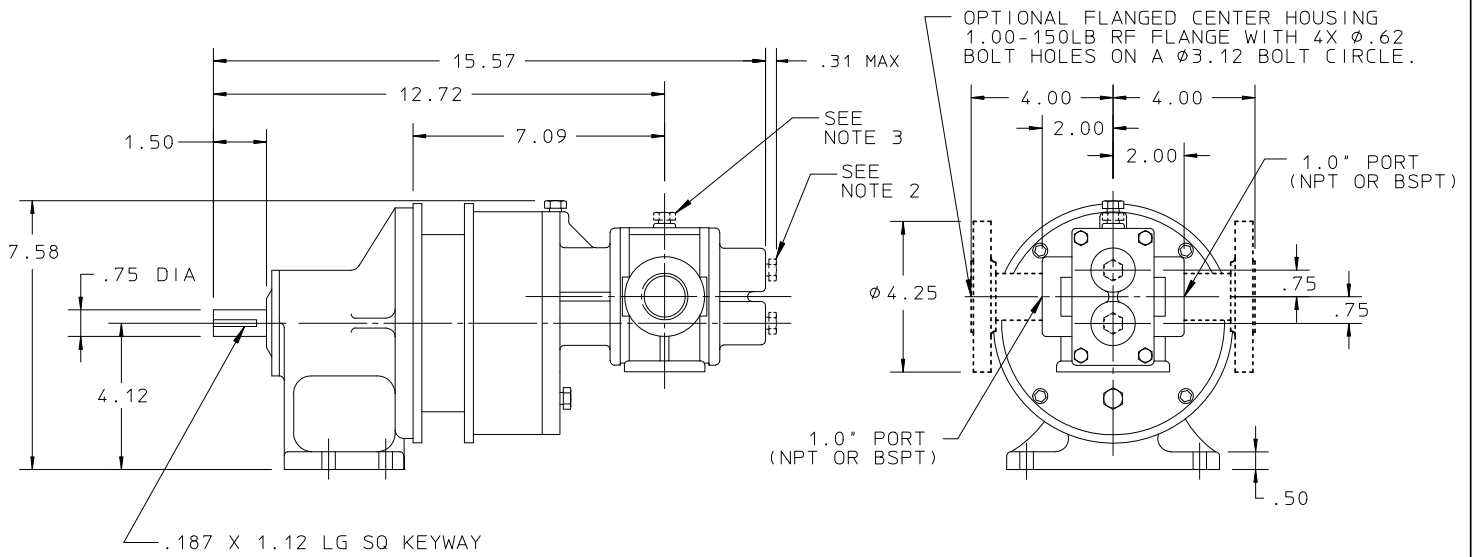
Ischem
 A Unit of IDEX Corporation

PULSAFEENE

MODEL GMC8
 MTD BASE AND PEDESTAL
 182-184T FRAME MOTORS

DWN BY: JEM JR
 DATE: 10/27/89

SD2682



NOTES:

1. SUCTION AND DISCHARGE PORTS ARE DEPENDENT UPON PUMP SHAFT ROTATION.
2. BEARING FLUSH AND DRAIN PLUGS (.12 NPT) ARE OPTIONAL.
3. VENT PLUG (.12 NPT) OPTIONAL.

| | |
|--------------------------------|--|
| ALL DIMENSIONS ARE IN INCHES | |
| Ischem | PULSAFEEDER A Unit of IDEX Corporation |
| MODEL GMC8 PEDESTAL MOUNTED | |
| DWN BY: PFM | SD2692 |
| DATE: 05/11/90 | |

| | |
|--------------|------------------|
| SECTION/PAGE | MODEL GMC8 / 306 |
| EFFECTIVE | 08/14/13 |
| SUPERSEDES | 03/27/01 |
| REF | REVISION UPDATE |
| | DATE |
| | 08/14/13 |