

Table of Contents

GMH9 Unmounted 143TC - 184C Fr Moto	1
GMH8 Unmounted with Pedestal Assy	2
GMH8 Unmounted Metric D100LC Fr Motor	3
GMH8 Unmounted 182TC Fr Motor	4
GMH8 Mounted with Pedestal Assy	5

REF	ADDED OPTIONAL FLANGE
	REVISION UPDATE
DATE	03/27/01

SECTION/PAGE	EFFECTIVE
SUPERSEDES	03/27/01

MODEL	GMH8/301
DATE	04/01/98

ALL DIMENSIONS ARE IN INCHES

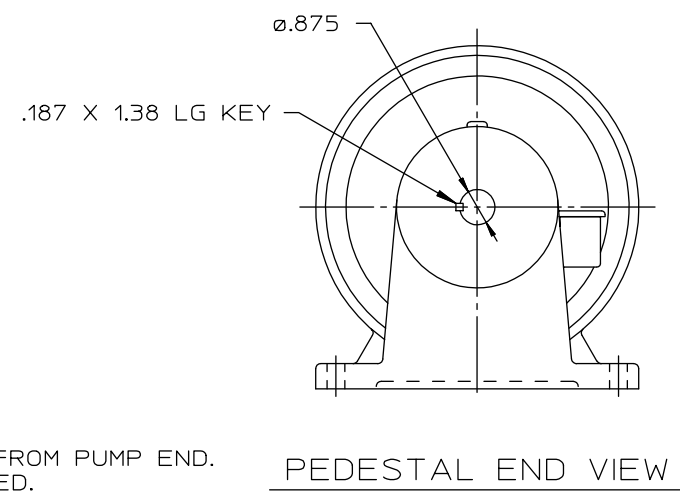
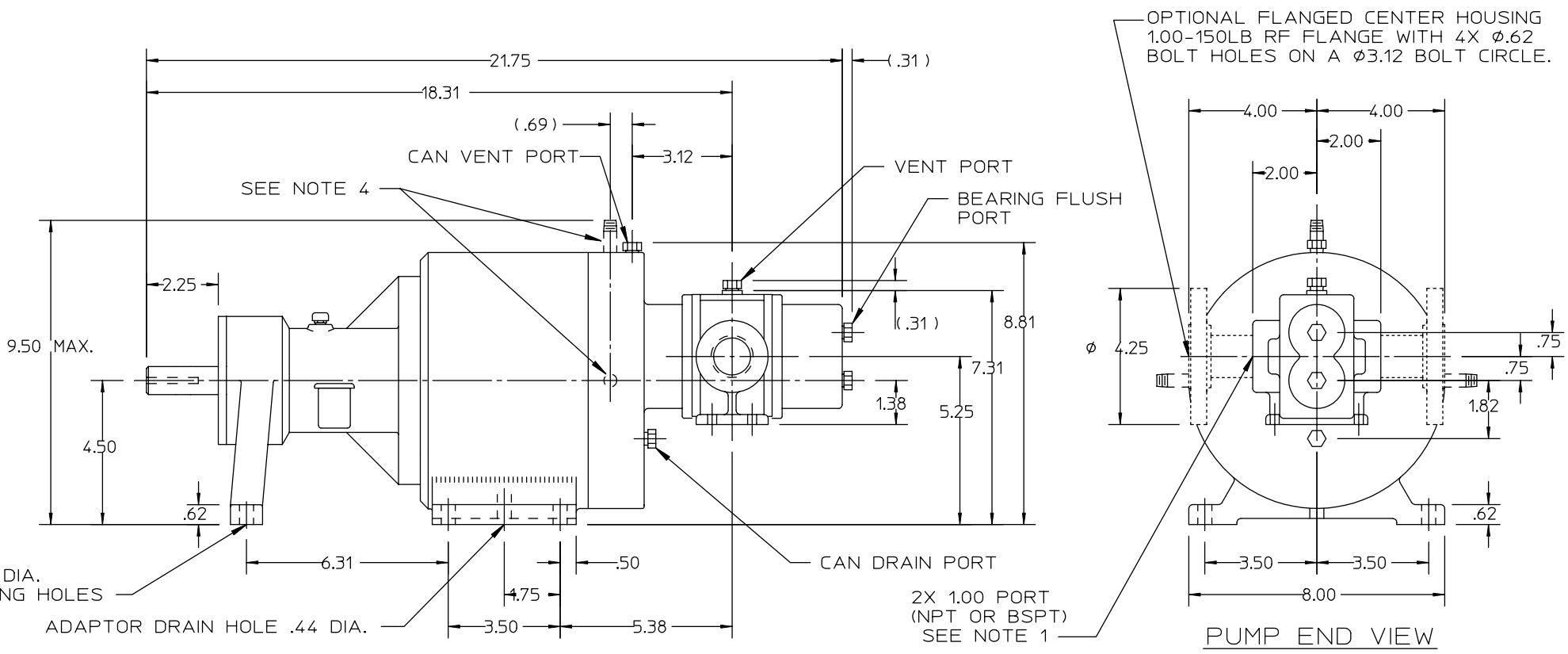
Ischem
A Unit of IDEX Corporation

PULSAFEENE

DIMENSIONAL DRAWING
GMH8 PUMP UNMOUNTED
WITH PEDESTAL ASSY

DWN BY: CLA
DATE: 04/04/94

SD-2771

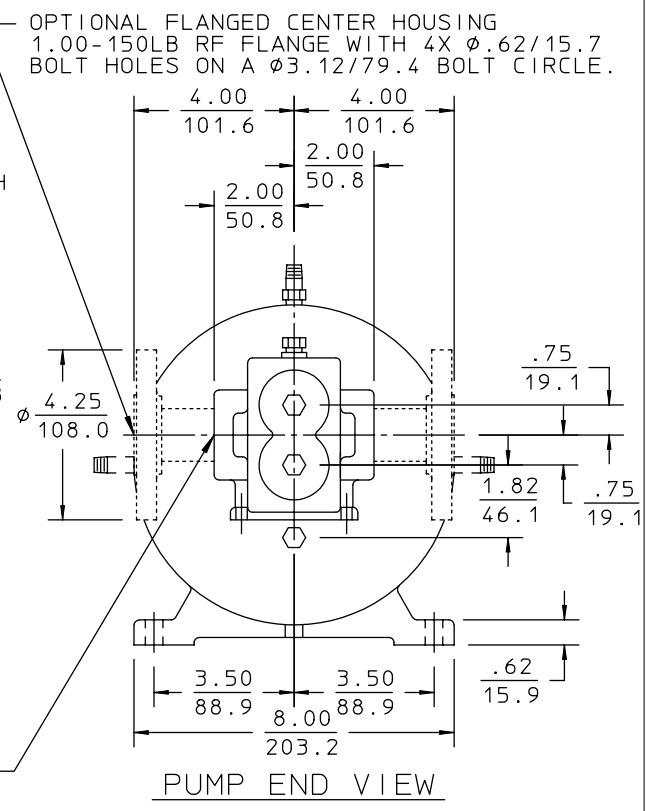
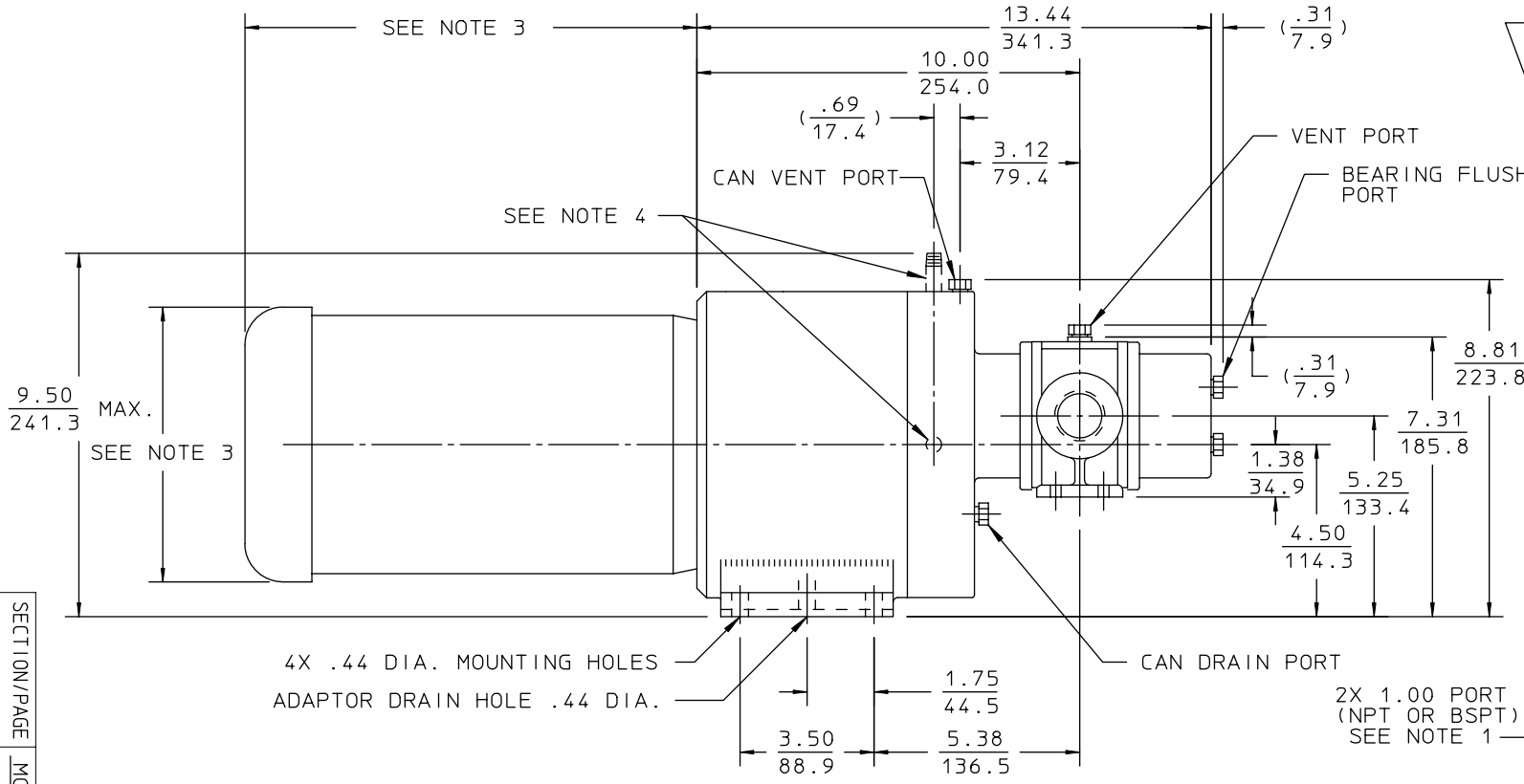


- NOTE:
- 1.) SUCTION AND DISCHARGE PORTS DEPENDENT ON DIRECTION OF ROTATION.
 - 2.) ALL STANDARD AND OPTIONAL PORT CONNECTION PIPE PLUGS ARE 1/8" NPT.
 - 3.) (2) 1/8" NPT PIPE CONNECTION PORTS ARE STANDARD WITH DOUBLE CAN OPTION. STANDARD ASSEMBLY IS LEFT/TOP CONNECTION PORT ORIENTATION WHEN VIEWED FROM PUMP END. CUSTOMER TO SPECIFY WHEN RIGHT/TOP CONNECTION PORT ORIENTATION IS REQUIRED.

REF: ADDED OPTIONAL FLANGE
 REVISION UPDATE
 03/27/01
 DATE

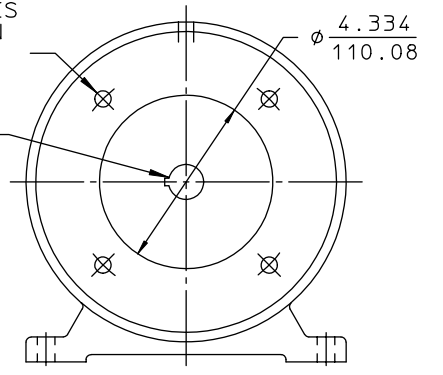
SECTION/PAGE: EFFECTIVE: SUPERSEDES:
 MODEL: GMH8/302
 03/27/01
 04/01/98

ALL DIMENSIONS ARE IN INCHES
Ischemet
PULSAFEEDER
 A Unit of IDEX Corporation
 DIMENSIONAL DRAWING
 GMH8 PUMP UNMOUNTED
 METRIC D100LC FR MOTOR
 DWN BY: CLA
 DATE: 04/04/94
 SD-2788



- NOTE:
- 1.) SUCTION AND DISCHARGE PORTS DEPENDENT ON DIRECTION OF ROTATION.
 - 2.) ALL STANDARD AND OPTIONAL PORT CONNECTION PIPE PLUGS ARE 1/8" NPT.
 - 3.) MOTOR DIMENSIONS VARY BY MANUFACTURER- CONSULT MOTOR MANUFACTURERS DRAWING FOR SPECIFICS. MOTOR ADAPTOR WILL ACCOMMODATE MOTOR FRAME SIZE; D100LC.
 - 4.) (2) 1/8" NPT PIPE CONNECTION PORTS ARE STANDARD WITH DOUBLE CAN OPTION. STANDARD ASSEMBLY IS LEFT/TOP CONNECTION PORT ORIENTATION WHEN VIEWED FROM PUMP END. CUSTOMER TO SPECIFY WHEN RIGHT/TOP CONNECTION PORT ORIENTATION IS REQUIRED.
 - 5.) FLANGE SIZE IS IN INCHES.

4X 10MM DIA. HOLES EQUALLY SPACED ON A 130MM DIA. B.C.
 DRIVE MAGNET I.D. 28.04MM DIA. HOLE 8MM X 38MM LG. KEYWAY

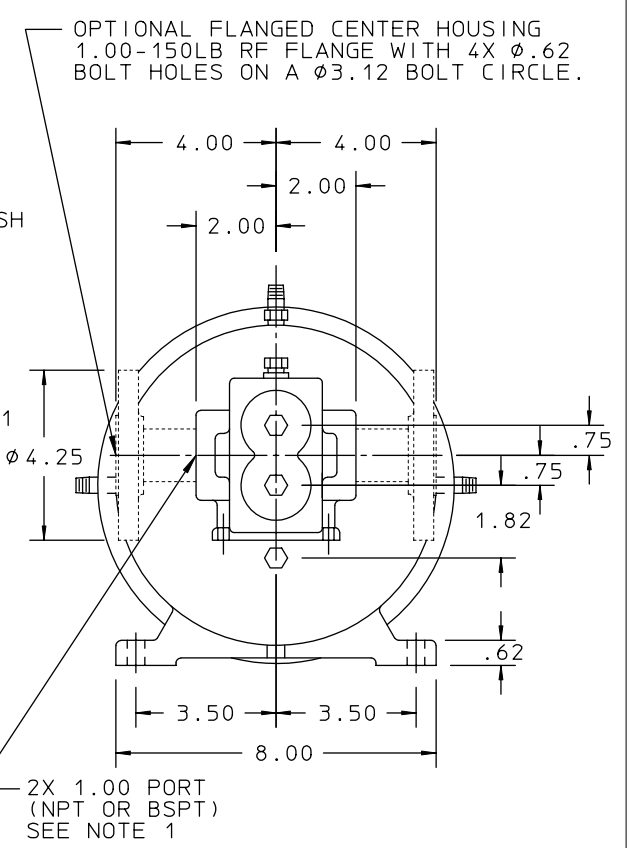
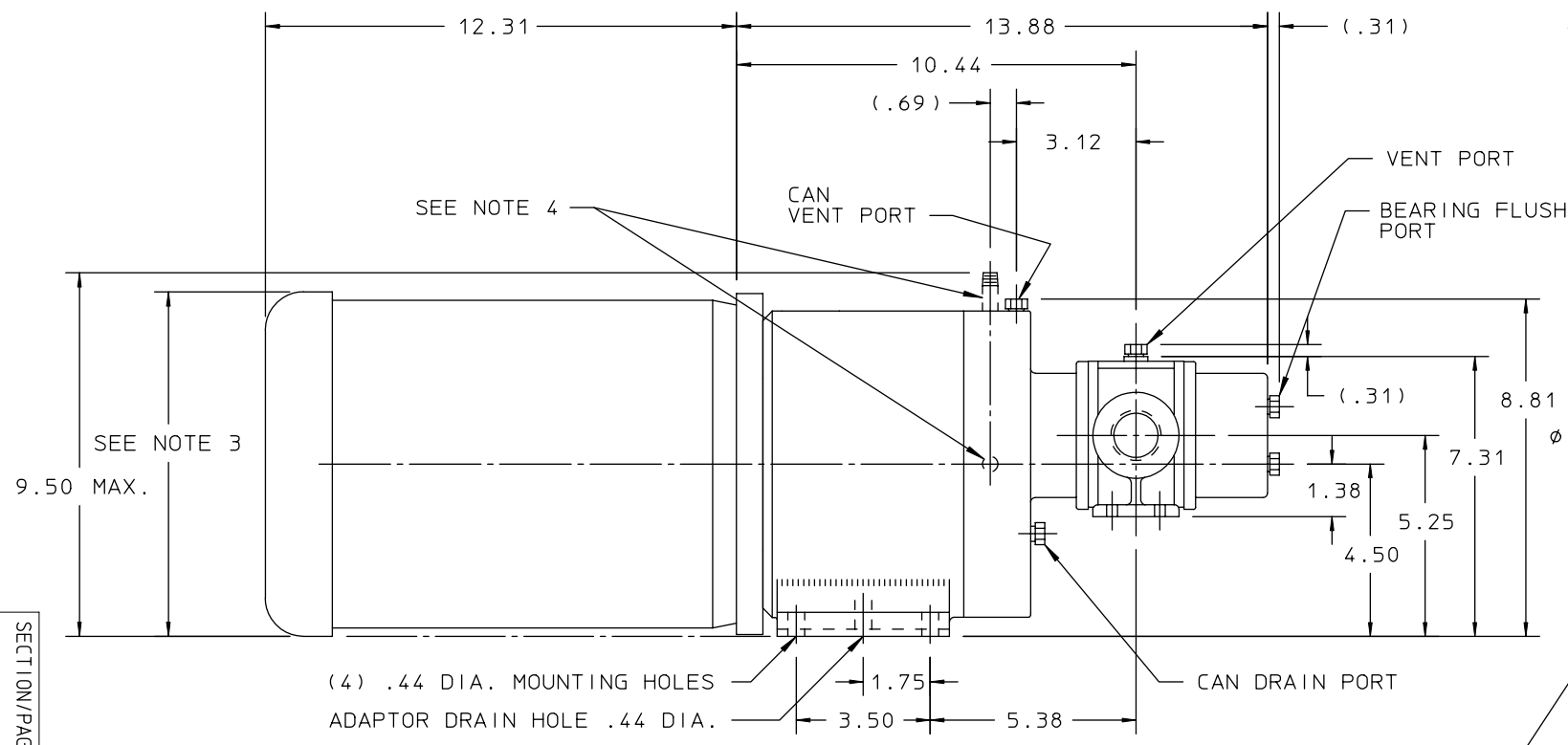


MOTOR ADAPTOR METRIC C-FACE BOLT PATTERN

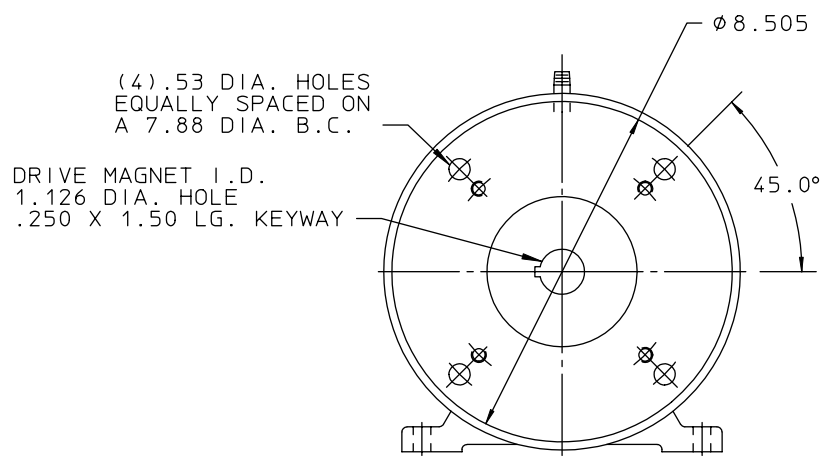
REF
REVISION UPDATE
DATE

SECTION/PAGE
EFFECTIVE
SUPERSEDES
MODEL GMH8/303
04/12/01
NEW

ALL DIMENSIONS ARE IN INCHES
Ischem
Pulsafeeder
 A Unit of IDEX Corporation
 DIMENSIONAL DRAWING
 GMH8 PUMP UNMOUNTED
 182TC - 184TC FR MOTOR
 DWN BY: PFV
 DATE: 04/12/01
 SD-2946



PUMP END VIEW

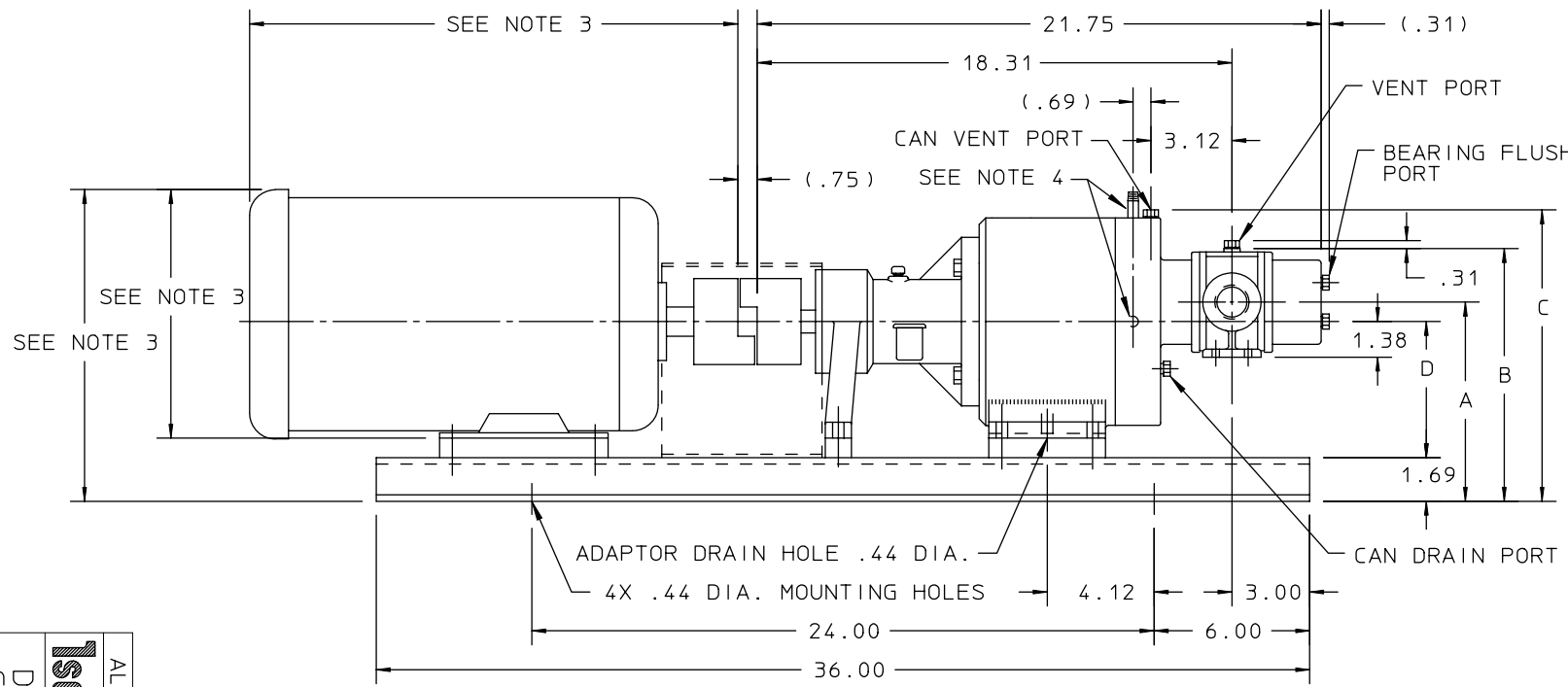
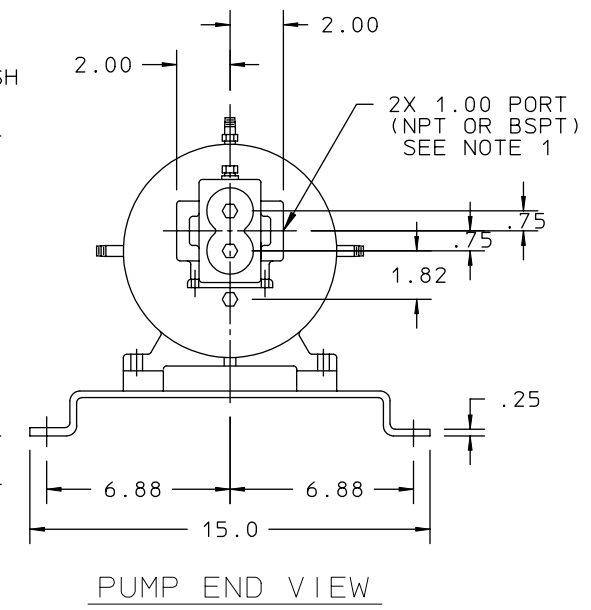
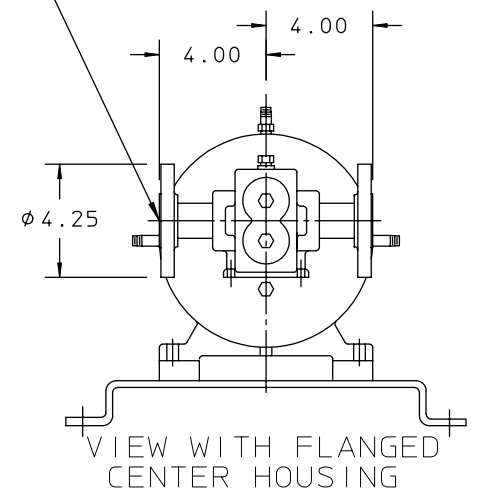


MOTOR ADAPTOR
 NEMA C-FACE BOLT PATTERN

- NOTE:
- 1.) SUCTION AND DISCHARGE PORTS DEPENDENT ON DIRECTION OF ROTATION.
 - 2.) ALL STANDARD AND OPTIONAL PORT CONNECTION PIPE PLUGS ARE 1/8" NPT.
 - 3.) MOTOR DIMENSIONS VARY BY MANUFACTURER-
 CONSULT MOTOR MANUFACTURERS DRAWING FOR SPECIFICS.
 MOTOR ADAPTOR WILL ACCOMMODATE NEMA C-FACE FRAME SIZES 182/4TC.
 - 4.) (2) 1/8" NPT PIPE CONNECTION PORTS ARE STANDARD WITH DOUBLE CAN OPTION.
 STANDARD ASSEMBLY IS LEFT/TOP CONNECTION PORT ORIENTATION WHEN VIEWED FROM PUMP END.
 CUSTOMER TO SPECIFY WHEN RIGHT/TOP CONNECTION PORT ORIENTATION IS REQUIRED.

REF: ADDED FLANGED VIEW
 REVISION UPDATE
 DATE: 03/27/01
 SUPersedes: 04/01/98
 SECTION/PAGE: MODEL GMH8/304
 EFFECTIVE: 03/27/01
 DIMENSIONAL DRAWING
 GMH8 PUMP MOUNTED
 WITH PEDESTAL ASSY
 DWN BY: CLA
 DATE: 04/04/94
 SD-2772

OPTIONAL FLANGED CENTER HOUSING
 1.00-150LB RF FLANGE WITH 4X Ø.62
 BOLT HOLES ON A Ø3.12 BOLT CIRCLE.



NOTE:

- 1.) SUCTION AND DISCHARGE PORTS DEPENDENT ON DIRECTION OF ROTATION.
- 2.) ALL STANDARD AND OPTIONAL PIPE PLUGS ARE (1/8" N.P.T.).
- 3.) MOTOR DIMENSIONS VARY BY MANUFACTURER, CONSULT MANUFACTURERS DRAWING FOR SPECIFICS. BASE WILL ACCOMMODATE MOTOR FRAME SIZES; 143T, 145T, 182T, 184T, 213T AND 215T.
- 4.) (2) 1/8" NPT PIPE CONNECTION PORTS ARE STANDARD WITH DOUBLE CAN OPTION. STANDARD ASSEMBLY IS LEFT/TOP CONNECTION PORT ORIENTATION WHEN VIEWED FROM PUMP END. CUSTOMER TO SPECIFY WHEN RIGHT/TOP CONNECTION PORT ORIENTATION IS REQUIRED.

PUMP SERIES	DIMENSIONS			MOTOR FRAME	INFO. D
	A	B	C		
GMH8	6.94	9.00	10.50	143/5T	4.50
	6.94	9.00	10.50	182/4T	4.50
	7.69	9.75	11.25	213/5T	5.24

ALL DIMENSIONS ARE IN INCHES

