

Type JBC

Belt Drive Upblast

Power Roof Ventilator



P.O. Box 2300 Jacksonville, Florida 32203
 Phone: (904) 389-3646
 Fax: (904) 387-3449 • (904) 381-7560
 E-mail: info@coolair.com
 Internet: www.coolair.com

Abbreviations for Accessories

- DS – Safety disconnect switch (specify voltage)
- PFC1 – Surface mount prefabricated roof curb
- ML – Magnetic latches
- HSV – Automatic heat and smoke release
- EPX – 6 mil epoxy finish
- HDG – Hot dip galvanizing (some units)
- CA – Cork-impregnated asphalt
- OG – Outlet guard
- DD-M – Galvanized damper doors

Standard Fan Features

- Low profile
- All-weather performance
- All-welded steel curb cap
- Rugged angle frame
- Heavy duty pillow block ball bearings
- Adjustable pitch cast aluminum airfoil blades
- Variable pitch motor pulley (most models)
- UL Listed for Standard 705 (most models)

Dimensions

Dimension A is the diameter of the circular wind shroud.

Dimension B is the overall height above the curb.

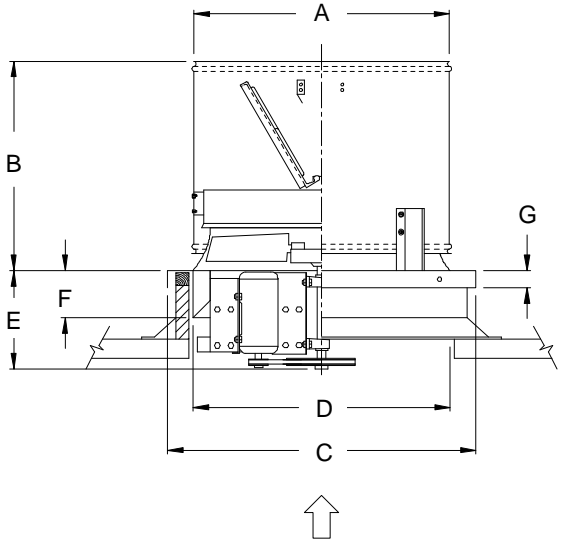
Dimension C is the I.D. of the curb cap flange.

Dimension D is the inside curb minimum.

Dimension E is the maximum projection of the motor below top of curb for constant speed, 3-phase TEFC motor of maximum frame size for PRV size and style indicated. This dimension will vary with the type and HP of the motor actually selected.

Dimension F is the depth of the fan angle structure.

Dimension G is the curb cap flange.



Fan Size	Dimensions in Inches						
	A	B	C	D	E	F	G
24	32	28 3/4	38	32	18 1/4	5 1/8	2
30	38	33 5/8	44	38	18 1/4	5 1/8	2
36	44	33 5/8	50	44	19 1/2	5 1/8	2
42	50	38 1/2	56	50	19 1/2	5 1/8	2
48	56	38 1/2	62	56	19 1/2	6 5/8	2
54	62	43 7/8	68	62	19 1/2	6 5/8	2
60	68	46 7/8	77	69	20 1/2	7 5/8	3
72	80	49 7/8	89	81	25 1/2	12 3/8	3
84	92	49 7/8	101	93	25 1/2	12 3/8	3

Specifications

FAN NO.	QTY.	FAN DATA					MOTOR DATA						ENCLOSURE	ACCESSORIES AND REMARKS
		MODEL NO.	CFM	SP	RPM	SONES	HP	RPM	VOLTAGE	PH	HZ			

PROJECT _____ ENGINEER _____ SUBMITTED BY _____ DATE _____
 LOCATION _____ CONTRACTOR _____ APPROVED BY _____ DATE _____