

Type JTBC

Belt Drive Upblast

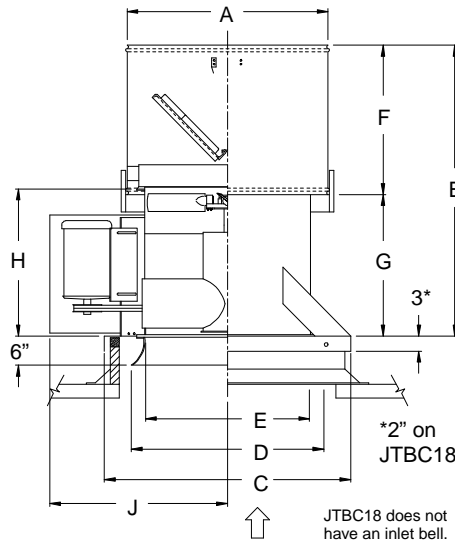
Power Roof Ventilator



P.O. Box 2300 Jacksonville, Florida 32203
 Phone: (904) 389-3646
 Fax: (904) 387-3449 • (904) 381-7560
 E-mail: info@coolair.com
 Internet: www.coolair.com

Standard Fan Features

- Operates reliably in hostile environments
- Motor, belt(s) and bearings isolated from air stream
- Constructed of extra heavy gauge steel
- Adjustable pitch cast aluminum airfoil blades
- Variable pitch pulleys (most models)
- Heavy duty pillow block ball bearings
- External re-lubrication fan bearing fittings
- Motor cover
- UL Listed for Standard 705 (most models)



Dimensions

Dimension A is the diameter of the circular wind shroud.
 Dimension B is the overall height above the curb.
 Dimension C is the I.D. of the curb cap flange.
 Dimension D is the inside curb minimum. (Inlet orifice is not furnished with 18" size.)
 Dimension E is the inside diameter of the fan housing.
 Dimension F is the height of the wind shroud.
 Dimension G is the height of the unit from the curb to the wind shroud.
 Dimension H is the height of the unit above the curb less the wind shroud and damper assembly.
 Dimension J is the distance from the center of the PRV to the outside edge of the motor cover.

Abbreviations for Accessories

- DS – Safety disconnect switch (specify voltage)
- PFC1 – Surface mount prefabricated roof curb
- ML – Magnetic latches
- HSV – Automatic heat and smoke release
- EPX – 6 mil epoxy finish
- HDG – Hot dip galvanizing
- CA – Cork-impregnated asphalt
- IG – Inlet guard
- OG – Outlet guard
- DC – Duct connector
- DD-M – Galvanized damper doors

Dimensions in Inches									
Size	A	B	C	D	E	F	G	H	J
18	24 ⁵ / ₈	45 ¹ / ₄	32	----	18 ¹ / ₈	27 ⁵ / ₈	17 ⁵ / ₈	20	23 ³ / ₄
24	32	53 ¹ / ₄	38	30 ¹ / ₄	25 ¹ / ₂	27 ⁵ / ₈	25 ⁵ / ₈	28	30 ⁵ / ₈
30	38	58 ¹ / ₈	44	36 ¹ / ₄	31 ¹ / ₄	32 ¹ / ₂	25 ⁵ / ₈	28	34 ¹ / ₂
36	44	66 ¹ / ₈	50	42 ¹ / ₄	37 ¹ / ₄	32 ¹ / ₂	33 ⁵ / ₈	36	42
42	50	71	56	48 ¹ / ₂	43 ¹ / ₄	37 ³ / ₈	33 ⁵ / ₈	36	45 ⁵ / ₈
48	56	71	62	54 ⁵ / ₈	49 ¹ / ₄	37 ³ / ₈	33 ⁵ / ₈	36	49
54	62	75 ⁷ / ₁₆	68	59 ¹ / ₂	55 ¹ / ₄	41 ¹³ / ₁₆	33 ⁵ / ₈	36	52 ³ / ₈
60	68	78 ⁷ / ₁₆	77	65 ⁵ / ₈	61 ³ / ₈	44 ¹³ / ₁₆	33 ⁵ / ₈	36	55 ³ / ₄
72	80	93 ⁷ / ₁₆	89	77 ⁵ / ₈	73 ³ / ₈	47 ¹³ / ₁₆	45 ⁵ / ₈	48	62 ¹ / ₈
84	92	93 ⁷ / ₁₆	101	89 ⁵ / ₈	85 ³ / ₈	47 ¹³ / ₁₆	45 ⁵ / ₈	48	68 ¹ / ₂

Specifications

FAN NO.	QTY.	FAN DATA					MOTOR DATA						ACCESSORIES AND REMARKS
		MODEL NO.	CFM	SP	RPM	SONES	HP	RPM	VOLTAGE	PH	HZ	ENCLOSURE	

PROJECT _____ ENGINEER _____ SUBMITTED BY _____ DATE _____
 LOCATION _____ CONTRACTOR _____ APPROVED BY _____ DATE _____