

# LP Series

The LP-Series\* Cartridge Collector is an economical, low pressure, Vertical Cartridge collector with all the quality design features you have come to expect from SDC. The unit is fully welded, and includes SDC's Patented nozzle based cleaning technology. Cartridges are secured without the need of tools via a simple spring loaded handle to assure proper sealing. It is guaranteed to provide a no leak seal between the tube sheet and the cartridge. All LP collectors are on-line self-cleaning units with a solid state timer board for the cleaning system.

## LP Series Vertical Cartridge Collector



## STANDARD FEATURES

- Patented Cleaning Nozzle Technology.
- 12 gauge hot rolled steel housing.
- Solid state timer pre-wired in NEMA 4 enclosure (110 V).
- All units designed for indoor/outdoor use.
- Compressed air manifold mounted with pipe couplings on both ends for easy connection of air supply.
- Compressed Air Required: 90 – 100 PSI. Must be clean and dry.
- Drawer or standard hopper designs available.
- Large Access Door.
- One full set of Duratex or Duratex II cartridges – 99.99% efficiency.
- No tool cartridge removal.
- Zinc oxide primer on the interior and exterior, and an exterior finish of industrial enamel (color is tan or graphite).
- High inlet design reduces cartridge wear and loading. Internal baffles, with Drop Out area, eliminates dust re-entrainment.

**\*LP-Series is a low volume, low static Vertical Cartridge collector.**

*We can also assist with meeting NFPA and OSHA Standards.*



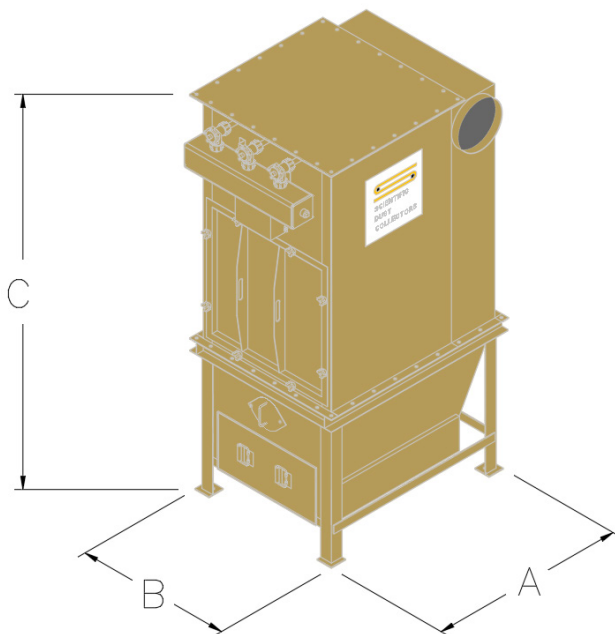
**SCIENTIFIC**  
DUST COLLECTORS

4101 W. 126th Street + Alsip, IL 60803 USA  
ph 708-597-7090 + fx 708-597-0313

[www.scientificdustcollectors.com](http://www.scientificdustcollectors.com)  
A Venturedyne Ltd. Company

# LP Series

MODEL	"A"	"B"	"C"	INLET SIZE DIA	QTY. VALVES	CLEANING AIR SCFM REQD.	TOTAL WEIGHT (LBS)
LP-2	24"	34"	90"	8 1/8"	2	2.2 - 6.5	900
LP-3	44"	34"	97"	12 1/8"	3	2.2 - 6.5	1,200
LP-4	46"	43"	100"	14 1/8"	4	2.2 - 6.5	1,500
LP-5	48"	52"	100"	16 1/8"	5	2.2 - 6.5	1,700



## LEGEND:

Example: LP-4

- LP – Model
- 4 – Number of Filters

Designed for airflows up to 3,000 CFM.

ALL DIMENSIONS AND WEIGHTS ARE APPROXIMATE, AND ARE TO BE USED FOR REFERENCE ONLY.



**SCIENTIFIC**  
DUST COLLECTORS

4101 W. 126th Street + Alsip, IL 60803 USA  
ph 708-597-7090 + fx 708-597-0313

www.scientificdustcollectors.com  
A Venturedyne Ltd. Company