

# PULSAFEEDER®

MicroVision EX 3.0 is a microprocessor-based conductivity, pH, and ORP controller, with the features and functions you need for accurate monitoring and control of cooling tower water that won't break your budget!

## FEATURES

- Toroidal conductivity sensor factory calibrated and maintenance free.
- PTSA probe available.
- One-point calibration.
- Large easy to read color display.
- Lockable front cover.
- Multiple level security codes.
- Military-grade industry leading AES 256 encryption and security to prevent unauthorized access.
- Up to 10 digital inputs.
- Optional 4-20 mA analog outputs and inputs.
- Dry contact alarm output.
- Battery backup.
- USB data logging is standard:
  - ◊ Up to 2 years of data logging.
  - ◊ Upload/Download program settings.
  - ◊ Upgrades to the Operating System.
- Optional PULSAlink cloud based communications with NEW app (iOS, Android) for live readings on the go.
- eServiceReport compatible.
- Customizable names for relays, water meters and inputs, synced to Controller, PULSAlink cloud, App and reports.
- Unsurpassed reporting and graphing to help you do your job quickly and more accurately.
- Enhanced charting capabilities for representation of system parameters to track water treatment programs efficacy.
- Customizable timer programs without system reboot.
- Ability to add second water meter for increased water efficiency and accurately calculate evaporation credits.
- Robust data logging capabilities for higher reliability.

## CONTROLS



### Bleed

- Solenoid valves, or motorized ball valves

### pH and ORP Control

- Pumps, solenoid valves, or motorized ball valves

### Up to 6 Selectable Timer Relays

#### Programmable Timer Modes

- Limit timer
- Percent timer
- % post bleed with limit timer
- Water meter pulse timer
- Biocide control timer, with pre-bleed, lockout, and conductivity minimum
- 4-20mA input, conductivity, pH, or ORP set point control
- Alarm output

## OPERATING BENEFITS

- Easy installation.
- Easy programming based on MicroVision simplicity.
- Toroidal conductivity probe.
  - ◊ No need to recalibrate conductivity probe.
  - ◊ Reduced potential for fouling.
- Two year warranty.
- Wide control range: 0 – 9,999  $\mu\text{S}/\text{cm}$ .
- Compact size saves space and reduces freight cost.



## PULSAlink ACCESS VIA

- Web
- App (iOS & Android)



# MicroVision<sup>EX</sup> Cooling Tower Controller

# SPECIFICATION AND MODEL SELECTION

MODEL	Control Parameters	Relays	Timers	Probes	4-20mA Inputs	4-20mA Outputs	Digital Inputs	PULSAlink	Water Meters
MVEC...	Conductivity	4	3	1	0 to 1	0 to 1	6	N/A <sup>1</sup> / Pre-Installed <sup>2</sup>	2
MVEC5...	Conductivity	5	4	1	0 to 1	0 to 1	6	N/A <sup>1</sup> / Pre-Installed <sup>2</sup>	2
MVECP...	Conductivity and pH	8	6	2	0 to 2	0 to 4	10	Optional <sup>1</sup> / Pre-Installed <sup>2</sup>	6
MVECO...	Conductivity and ORP	8	6	2	0 to 2	0 to 4	10	Optional <sup>1</sup> / Pre-Installed <sup>2</sup>	6
MVECPO...	Conductivity, pH and ORP	8	5	3	0 to 2	0 to 4	10	Optional <sup>1</sup> / Pre-Installed <sup>2</sup>	6

1. Models with "X" in 11<sup>th</sup> position of model number  
 2. Models with "E" in 11<sup>th</sup> position of model number

## ENGINEERING DATA DIGITAL INPUTS

Digital Inputs	Input 1	Input 2, 3, 4	Input 5	Input 6	Input 7	Inputs 8, 9, 10
Function	Flow Switch	Drum Level	Water Meter	Water Meter	Water Meter	Water Meter
Dry Contact	√	√	√	√	√	√
Hall Effect			√			√
Model Type	All				MVECPXXX, MVECOXXX, MVECPOXXX	

## ENGINEERING DATA

Controller Specifications	
Enclosure	IP65
Temperature Range	122°F / 50°C
Power Supply	100 VAC – 240 VAC / 50/60Hz / 8A
Control Output	8 Amps max (3 Amps / Relay)
Display	Multicolor graphical LCD
Set Point Range	0 - 9,999 µS/cm; 0-14 pH; -2000 - + 2000mV
Set Point Types	Rising or Falling
Languages	English, Spanish, Portuguese

Sensor Specifications	
Maximum Temperature	122°F / 50°C
Flow Switch Activate Flow Rate	Approx. 1 GPM / 3.78 LPM
Conductivity Temp. Compensation Range	32°F - 122°F / 0°C - 50°C
Maximum Pressure	125 PSI (8.6 BAR)
Sensor Type	Toroidal Conductivity Standard industrial pH and ORP sensor PTSA (Pyxis or Little Dipper)

## AFTERMARKET

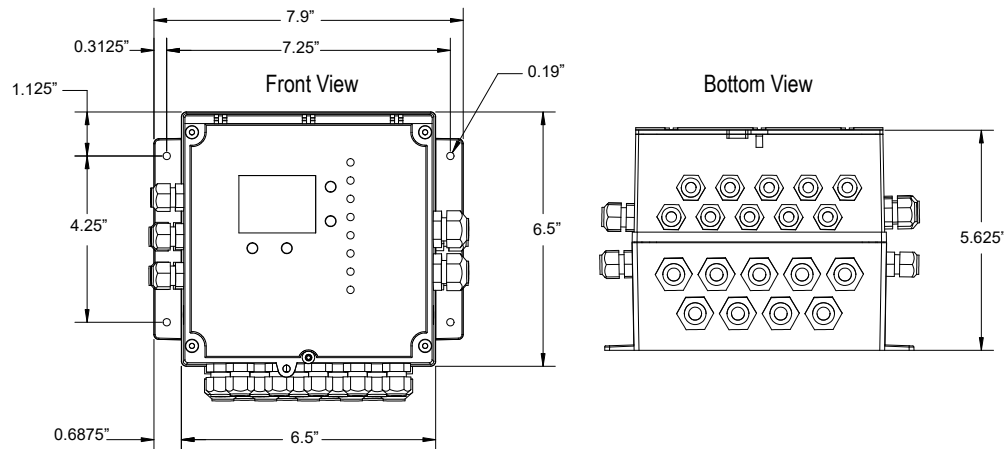
- Solenoids
- Motorized Ball Valves
- Water Meters
- Corrosion Coupon Racks
- Metering Pumps (PULSAtron, XP Series)

## MICROVISION EX PANEL SYSTEMS

Pulsafeeder's MicroVision Systems are designed to provide complete and easy to install solutions for cooling tower applications.

- Rugged custom fabricated assemblies.
- Turn-key simplicity.
- Industrial-grade durability.
- Mounting locations for up to three pumps.
- Factory assembled and hydrostatically tested.

## DIMENSIONS



27101 Airport Road  
 Punta Gorda, FL 33982  
 Tel: (941) 575-3800  
 Fax: (941) 575-4085  
[www.pulsatron.com](http://www.pulsatron.com)



An ISO Certified Company



MVE001 J18