

# Type PSDC-F

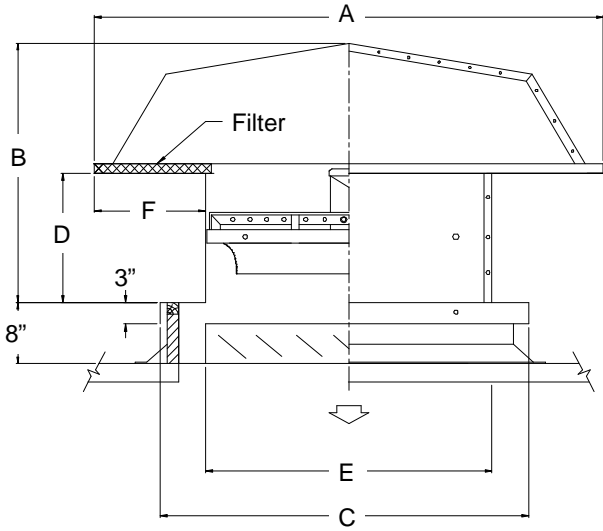
## Filtered Supply, Direct Drive, Hooded Power Roof Ventilator



P.O. Box 2300 Jacksonville, Florida 32203  
 Phone: (904) 389-3646  
 Fax: (904) 387-3449 • (904) 381-7560  
 E-mail: info@coolair.com  
 Internet: www.coolair.com

### Abbreviations for Accessories

- DS – Safety disconnect switch (specify voltage)
- PFC1 – Surface mount prefabricated roof curb
- BS – Bird screen
- BDD – Automatic back draft damper
- MOD – Motorized back draft damper
- EPX – 6 mil epoxy finish
- HDG – Hot dip galvanized fan components
- CA – Cork-impregnated asphalt
- UC – Undercoating
- FG – Fiberglass insulation



### Standard Fan Features

- Permanent cleanable filters
- Galvanized steel hood and base
- All-welded steel fan panel
- Low maintenance—no fan bearings or belts
- Adjustable pitch cast aluminum airfoil blades
- Access panel
- UL Listed for Standard 705 (most models)

Item No. <sup>1</sup>	Fan Size	Dimensions in Inches					Filter Area ft <sup>2</sup>	
		A	B	C	D	E		F
1-5	24	57	36 1/4	38	20 1/4	28 3/8	12 1/2	13.2
6-10		67	40				17 1/2	
11,12	30	67	40	44	20 1/4	34 3/8	14 1/2	18.4
13-20		78	41 3/4				20	
21,23,24	36	78	41 3/4	50	20 1/4	40 3/8	17	25.6
22,25-33		88	42 3/4				22	
34,35,37,38	42	88	42 3/4	56	20 1/4	46 3/8	19	32.8
36,39-45		98	48 1/4				24	
46-49	48	98	51 1/8	62	23 1/8	52 3/8	21	40.9
50-55		109	57 1/8				26 1/2	
56,57	54	109	57 1/8	68	23 1/8	58 3/8	23 1/2	51.3
58-62		127 7/8	45 3/4				32 7/8	
63,64	60	127 7/8	57 3/8	77	23 1/8	64 3/8	29 7/8	76.4
65,66		139 1/2	45 3/4				35 3/4	

1 — Item no refers to page 27 & 28 Of American Coolair Form No. 340-15. Numbers are inclusive and identify each model for which dimensions apply.

### Dimensions

Dimension A is the O.D. of the square hood.  
 Dimension B is the overall height above the curb.  
 Dimension C is the I.D. of the curb cap flange.  
 Dimension D is the distance from the curb to the hood.  
 Dimension E is the damper net length and width, flanges add 1-11/16 inches on all sides.  
 Dimension F is the distance of the filter overhang.

### Specifications

FAN NO.	QTY.	FAN DATA					MOTOR DATA						ACCESSORIES AND REMARKS
		MODEL NO.	CFM	SP	RPM	SONES	HP	RPM	VOLTAGE	PH	HZ	ENCLOSURE	

PROJECT \_\_\_\_\_ ENGINEER \_\_\_\_\_ SUBMITTED BY \_\_\_\_\_ DATE \_\_\_\_\_  
 LOCATION \_\_\_\_\_ CONTRACTOR \_\_\_\_\_ APPROVED BY \_\_\_\_\_ DATE \_\_\_\_\_