

Type PT

Power Tube Fan

Make-Up Air System



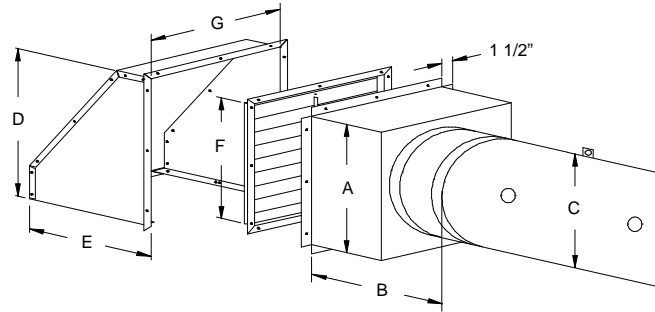
P.O. Box 2300 Jacksonville, Florida 32203
 Phone: (904) 389-3646
 Fax: (904) 387-3449 • (904) 381-7560
 E-mail: info@coolair.com
 Internet: www.coolair.com

Standard Fan Features

- Special propeller fan with air straightening vanes
- Reinforced, flame-retardant, polyethylene air distribution tube
- Choice of tube color (blue or white)
- Electrical knock out for wiring

Abbreviations for Accessories

- BG – Shutter bird guard (sizes 24 & 30 only)
 SE – Motor operated intake shutter
 PTWH – Weather hood
 PTWHG – Weather hood guard
 FBPD – Face and by-pass dampers



Dimensions - Fan

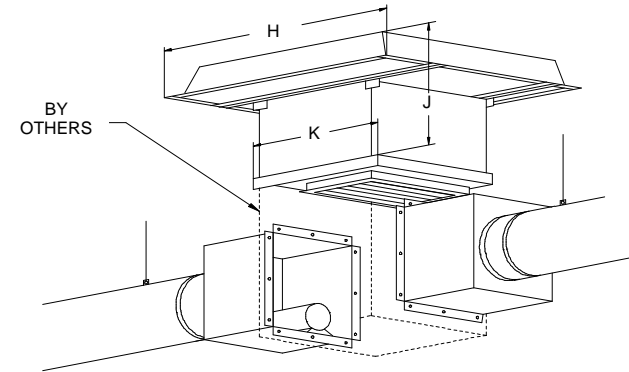
Dimension A is the O.D. of the housing.
 Dimension B is the length of the housing and orifice.
 Dimension C is the O.D. of the tube.
 Dimension D is the height of the hood, excluding 1-1/2" flange.
 Dimension E is the distance the hood extends from the wall.
 Dimension F is the wall opening size.
 Dimension G is the width of the hood, excluding 1-1/2" flanges.

Dimensions in Inches							
Size	A (sq)	B	C	D	E	F (sq)	G
18	24 1/8	24 1/4	19	26 1/2	27 1/2	22 5/8	26 1/2
24	32 1/4	36 1/8	25	32 1/2	33 1/2	28 7/8	32 1/2
30	38 1/4	37 3/4	30	38 1/2	39 1/2	34 7/8	38 1/2

Specifications

FAN NO.	QTY.	FAN DATA					MOTOR DATA					ENCLOSURE	ACCESSORIES AND REMARKS
		MODEL NO.	CFM	SP	RPM	SONES	HP	RPM	VOLTAGE	PH	HZ		

PROJECT _____ ENGINEER _____ SUBMITTED BY _____ DATE _____
 LOCATION _____ CONTRACTOR _____ APPROVED BY _____ DATE _____



Dimensions - Roof Intake

Dimension H is the O.D. of the square hood.
 Dimension J is the overall height above the curb.
 Dimension K is the I.D. of the curb cap flange.

Roof Intake Selection	Dimensions in Inches			Approx. Ship Wt.
	H	J	K	
PE24GV	57	33 3/4	38	250
PE30GV	67	38 1/2	44	340
PE36GV	78	41 3/4	50	400
PE42GV	88	43 7/8	56	550

Refer to American Coolair Form 520-15 for recommended roof intake selection.