

# PULSAFEEDER®

The PULSAtrol MBC 100 Series controller continuously protects boiler systems from the harmful effects of scaling and corrosion. They are designed using advanced microprocessor technology and surface mount assembly techniques. The result is amazing versatility in a compact, reasonably priced controller package. The units are simple to program using the clearly labeled keypad and the bright alphanumeric display.

The MBC100 Series controllers offer a wide range of additional options to help you select the proper controller for your specific needs. Conduit connections are provided on all units for hard wiring. The sample mode is programmable for either timed or continuous sampling of the boiler conductivity. The standard probe is rated at 250 PSI (17 BAR) and 400°F (204°C) and is temperature compensated. The stainless housing allows the probe to be easily removed for preventative maintenance. The probe is provided with a 1" NPT black iron cross and an electrical junction box.

The selectable timer is an available option allowing chemicals to be dosed by any one of the following: percent, pulse with accumulator, percent post blow down, or a limit timer. An alarm output relay is available to provide an A/C output to an alarm device such as a strobe light or warning siren. Additionally, an alarm dry contact is also available to send an alarm signal to integral building management systems or other controls. Programmable proportional 4-20mA outputs can be added to allow for control of metering pumps, or remote monitoring of system inputs.

## Features

- High Resolution 10 bit A/D Converter
- Adjustable Analog Sample Sensitivity
- Fully Isolated Differential Inputs For All Circuits
- Keypad Activated Hand/Off/Auto Control Of All Relay Outputs

## Operating Benefits

- NEMA 4X Enclosure.
- Wall Mountable.
- Modular hardware and software for easy access and servicing.



## Aftermarket

- Solenoids
- Motorized Ball Valves
- Water Meters
- Corrosion Coupon Racks
- Metering Pumps (PULSAtron, XP Series)



**PULSAtrol®**  
**MBC100 Series**



# PULSA<sup>®</sup>tronic MBC100 Series

## Specifications and Model Selection

### MBC Series Selection Guide

MBC110

**MODEL:** MBC110 = Conductivity control with selectable sample mode  
 Position 1 thru 6 (continuous or timed), single line display, S.S. sensor

**AVAILABLE OPTIONS**  
 Position 7 thru 12 as needed

- C** = Selectable timer: % limit <sup>(1)</sup>, pulse, % post blow down
- D** = Alarm output relay
- K** = Alarm dry contact
- M3** = 4-20 mA isolated proportional programmable output
- R** = Agency approval - US/Canada (conduit on inlet power)
- R1** = CE Mark approved
- W** <sup>(2)</sup> = Private Label

A completed model should look like "MBC110CDR1"

Notes: (1) Limit timer - 9 hours 59 min Max

(2) First time private label customers need to contact the factory or sales representative for information.

## Engineering Data

**Conductivity Range:** 0-500, 0-2,000, 0-5,000, 0-10,000 and 0-20,000  $\mu\text{S/cm}$

**Sensors:** Temp Comp. Max 250 PSI @ 400°F

**Accuracy:**  $\pm 1.0\%$  (At Point of Measure Excluding Sensor)

**Auto/Manual Outputs:** Menu selectable

**Display:** 1 x 8 Alpha Numeric, Lighted Display

**Analog Inputs:** One

**Digital Inputs:** Two

**Analog Outputs:** One

**Alarm Dry Contacts:** One

**Relay Outputs:** Three

**Timers:** Programmable

**Differential:** Programmable

**Max Pressure of Standard:** 200 PSI (14 BAR) @ 70°F (21 °C)

**Flow Assembly:** 125 PSI (8.6 BAR) @ 125°F (52 °C)

**Hi/Lo Alarm Indicator:** Standard

**10 Bit A/D Resolution:** Standard

**Front Panel H/O/A Control:** Standard

**Control Output:** Line Voltage @ 600 VA Per Relay (5 amps @ 120VAC)

**Power:** 90-250 VAC @ 50/60 Hz, 100 VA

**Electronic Environment:** 0° - 125°F (-17.8 - 52°C) 100% Humidity

**Standard Plumbing:** 1" Black iron Cross

**Enclosure:** NEMA 4X – High Impact Resistant PVC

**Controller Weight:** 6 lbs (2.5 kg)

**Shipping Weight:** 8 lbs (3.7 kg)

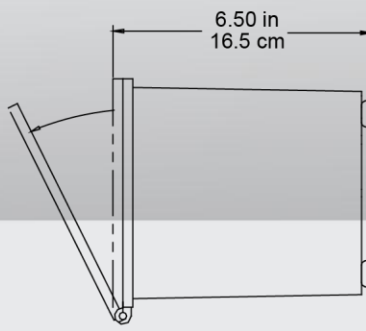
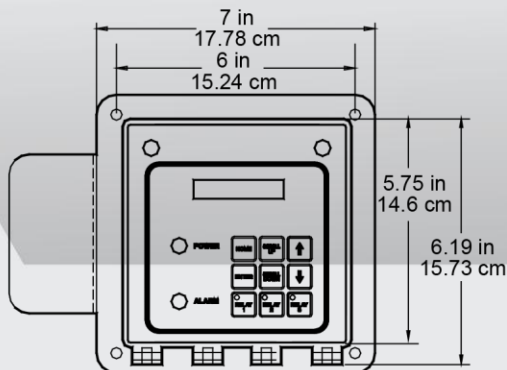
## Custom Engineered Designs – Pre-Engineered Systems



### Pre-Engineered Systems

Pulsafeeder's Pre-Engineered Systems are designed to provide complete chemical feed solutions for all electronic metering applications. From stand alone simplex pH control applications to full-featured, redundant sodium hypochlorite disinfection metering, these rugged fabricated assemblies offer turn-key simplicity and industrial-grade durability. The UV-stabilized, high-grade HDPE frame offers maximum chemical compatibility and structural rigidity. Each system is factory assembled and hydrostatically tested prior to shipment.

## Dimensions



27101 Airport Road  
 Punta Gorda, FL 33982  
 Phone: ++1(941) 575-3800  
 Fax: ++1(941) 575-4085

www.pulsatron.com



An ISO 9001 Certified Company

MBC001 J14

