

Type RPB and RPD

Reversible, Belt or Direct Drive, Hooded Power Roof Ventilator



P.O. Box 2300 Jacksonville, Florida 32203
 Phone: (904) 389-3646
 Fax: (904) 387-3449 • (904) 381-7560
 E-mail: info@coolair.com
 Internet: www.coolair.com

Abbreviations for Accessories

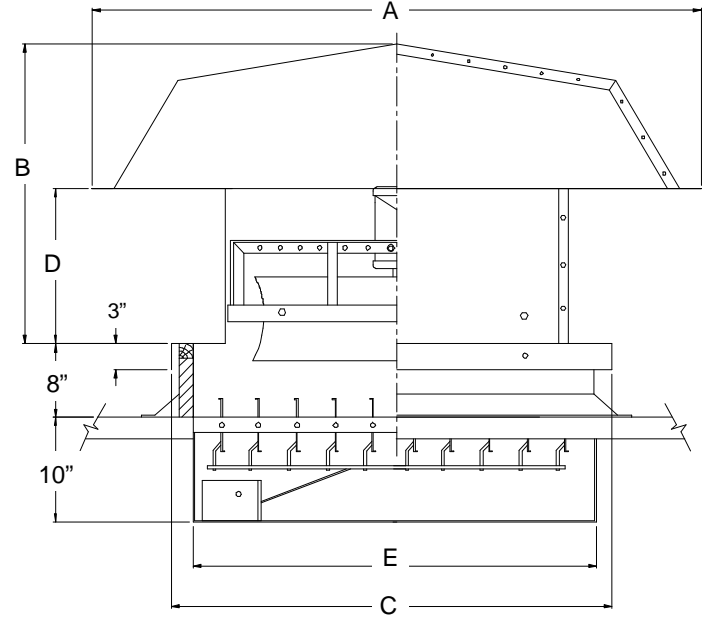
- RS – Reversing switch
- CPBDD – Center pivoted, motorized back draft damper
- DS – Safety disconnect switch (specify voltage)
- PFC1 – Surface mount prefabricated roof curb
- BS – Bird screen
- EPX – 6 mil epoxy finish
- HDG – Hot dip galvanized fan components
- CA – Cork-impregnated asphalt
- UC – Undercoating
- FG – Fiberglass insulation

Standard Fan Features

- Reversible airflow—supply or exhaust
- Galvanized steel hood and base
- All-welded steel fan panel
- Special reversible propeller assembly
- Adjustable pitch cast aluminum airfoil blades
- Heavy duty pillow block ball bearings (belt drive models)
- Variable pitch pulleys (belt drive models)
- Access panel
- UL Listed for Standard 705 (most models)

Dimensions

Dimension A is the O.D. of the square hood.
 Dimension B is the overall height above the curb.
 Dimension C is the I.D. of the curb cap flange.
 Dimension D is the distance from the curb to the hood.
 Dimension E is the damper net length and width, flanges add 1-3/8 inches on all sides.



Fan Size	Dimensions in Inches				
	A	B	C	D	E
24	57	34 1/2	38	20 3/4	28 3/8
30	67	38 1/4	44	20 3/4	34 3/8
36	78	40	50	20 3/4	40 3/8
42	88	41	56	20 3/4	46 3/8
48	98	49 3/8	62	23 5/8	52 3/8
54	109	55 3/8	68	23 5/8	58 3/8
60	109	55 3/8	77	23 5/8	64 3/8

Specifications

FAN NO.	QTY.	FAN DATA					MOTOR DATA					ENCLOSURE	ACCESSORIES AND REMARKS
		MODEL NO.	CFM	SP	RPM	SONES	HP	RPM	VOLTAGE	PH	HZ		

PROJECT _____ ENGINEER _____ SUBMITTED BY _____ DATE _____
 LOCATION _____ CONTRACTOR _____ APPROVED BY _____ DATE _____