

# SC Series

The SC-Series Cartridge Collector is a horizontal yet heavy duty reverse-jet cartridge collector with the manufacturing quality you have come to expect from SDC. The bin is fully welded [NOT bolted], and operates with a downward airflow, and includes SDC's patented nozzle-based cleaning technology. Cartridges are secured without the need of tools via a removable-hinged access door for quick and easy cartridge changes. The SC collectors are on-line self cleaning units with a solid state timer board for the cleaning system.

## SC Series Horizontal Cartridge Collector



## STANDARD FEATURES

- Patented Cleaning Nozzle Technology.
- Compressed Air Required: 90 – 100 PSI. Must be clean and dry.
- All units designed for indoor/outdoor use.
- 12 gauge steel bin and hopper, reinforced to withstand  $\pm 17$  IWC static pressure
- Solid state timer pre-wired in NEMA 4 enclosure (110 V).
- Welded construction, preassembled to largest feasible shipping sections. Standard designed for 100 MPH winds, and Zone 3 seismic loads.
- Compressed air manifold mounted with pipe couplings on both ends for easy connection of air supply.
- 55 degree hopper with discharge clearance of 42". Sized for a slide gate or 55 gallon drum adapter.
- Flanged pre-drilled inlet, and flanged pre-drilled outlet.
- Hinged Access Door.
- No tool cartridge removal.
- Zinc oxide primer on the interior and exterior, and an exterior finish of industrial enamel (color is tan or graphite).
- One differential pressure gauge with dust trap and connecting hardware.
- One full set of Duratex II cartridges (99.99% efficiency).

*We can also assist with meeting NFPA and OSHA Standards.*



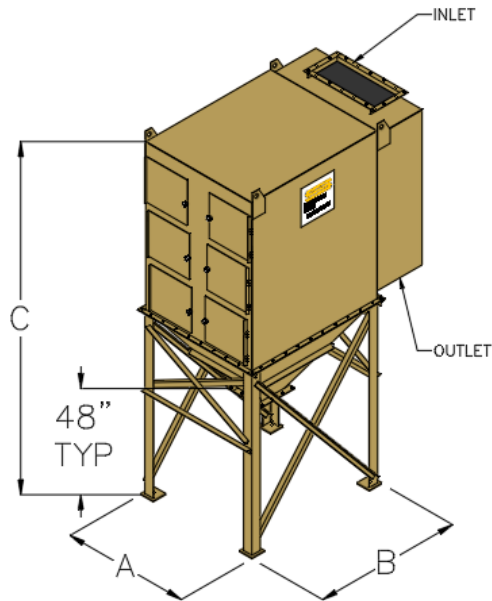
**SCIENTIFIC**  
DUST COLLECTORS

4101 W. 126th Street + Alsip, IL 60803 USA  
ph 708-597-7090 + fx 708-597-0313

[www.scientificdustcollectors.com](http://www.scientificdustcollectors.com)  
A Venturedyne Ltd. Company

# SC Series

| MODEL | "A" | "B" | "C"  | INLET & OUTLET SIZE | QTY. VALVES | COMPRESSED AIR USAGE | TOTAL WEIGHT (LBS) |
|-------|-----|-----|------|---------------------|-------------|----------------------|--------------------|
| SC-2  | 46" | 32" | 94"  | 8" x 8"             | 2           | 0.5 - 3.1            | 1,250              |
| SC-4  | 46" | 32" | 116" | 11" x 11"           | 4           | 0.9 - 6.1            | 1,600              |
| SC-8  | 52" | 60" | 126" | 12" x 20"           | 4           | 1.8 - 6.1            | 2,200              |
| SC-12 | 52" | 60" | 148" | 12" x 30"           | 6           | 2.8 - 9.2            | 2,750              |
| SC-16 | 52" | 60" | 170" | 13" x 38"           | 8           | 3.7 - 12.2           | 3,250              |
| SC-18 | 75" | 60" | 158" | 13" x 42"           | 9           | 4.1 - 13.8           | 3,800              |
| SC-24 | 75" | 60" | 180" | 13" x 56"           | 12          | 5.5 - 18.4           | 4,400              |



## LEGEND:

Example: SC-4

- SC – Model
- 4 – Number of Filters

Larger Models Available

ALL DIMENSIONS AND WEIGHTS ARE APPROXIMATE, AND ARE TO BE USED FOR REFERENCE ONLY.



**SCIENTIFIC**  
DUST COLLECTORS

4101 W. 126th Street + Alsip, IL 60803 USA  
ph 708-597-7090 + fx 708-597-0313

www.scientificdustcollectors.com  
A Venturedyne Ltd. Company