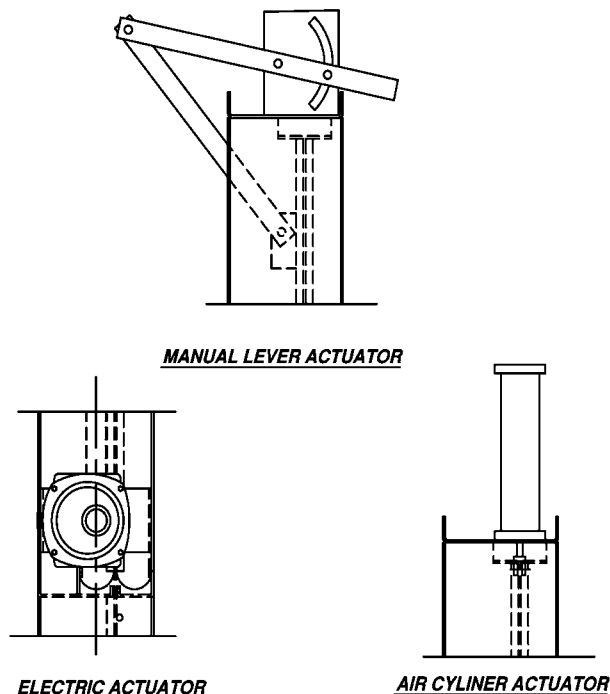
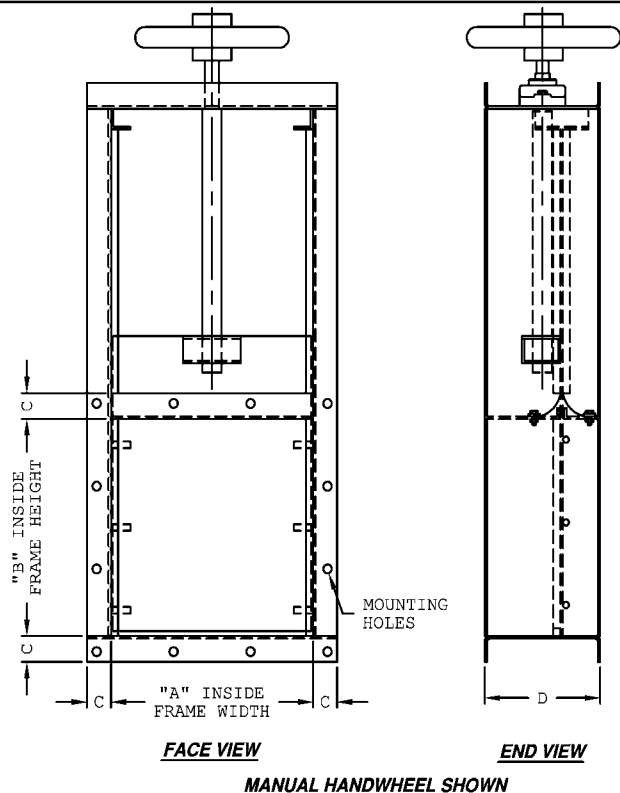


LIGHT DUTY SLIDE GATE DAMPER, 48" x 48" MAXIMUM SIZE
DIFFERENTIAL PRESSURE: 15 IN WG, 350°F MAX TEMP



AWV ITEM No.	QUANTITY	"A" INSIDE FRAME WIDTH	"B" INSIDE FRAME HEIGHT	"C" FLANGE WIDTH	"D" FRAME DEPTH	MAX. TEMPERATURE	MAX. PRESSURE	MAX. VELOCITY	ACTUATOR OPTION			OPTIONAL MOUNTING HOLE DIMENSIONS	REMARKS
									MANUAL HANDWHEEL	MANUAL LEVER	ELECTRIC PNEUMATIC		
												CUSTOMER TO SPECIFY	

SPECIFICATIONS

FRAME: FORMED OR STRUCTURAL STEEL CHANNELS. MOUNTING HOLES ARE OPTIONAL, PLEASE SPECIFY PATTERN REQUIRED.

BLADE: FLAT PLATE WHICH RETRACTS FULLY FROM THE AIRSTREAM WHEN OPEN.

SEALS: VARIOUS DESIGNS ARE AVAILABLE. PLEASE SPECIFY LEAKAGE REQUIREMENTS WHEN ORDERING. (I.E. CFM, ACFM OR % OF FLOW)

FINISH: (1) ONE COAT OF AWV STANDARD PRIMER

ACTUATOR: MANUAL, ELECTRIC OR PNEUMATIC OPERATORS ARE AVAILABLE. PLEASE SPECIFY WHEN ORDERING.

NOTES

1. SLIDE GATES ARE DESIGNED ON A PROJECT BY PROJECT BASIS. PLEASE CONSULT THE FACTORY FOR PRICING AND DESIGNS.

REV.	DESCRIPTION	DATE	BY
DATE:			
AWV PROD. No.:			
CUSTOMER:			
CUSTOMER ORDER No.:			
AGENT:			
AGENT ORDER No.:			
american warming and ventilating A MESTEK COMPANY 7301 INTERNATIONAL DRIVE HOLLAND, OHIO WWW.AWV.COM PHONE #(419) 865-5000			
LIGHT DUTY SLIDE GATE DAMPER			
DRN. BY	BHL	DWG. NO.	REV.
DATE	9-27-04	SG-10-1	