

SL Series

The SL-Series Horizontal Cartridge collector is a heavy duty reverse pulse-jet collector that is suited for industrial powders and submicron dust applications. These units operate with a downward airflow and incorporate our patented nozzle based cleaning technology, internal air baffle, and special attention to the internal air flow velocities and patterns. The SL-Series cartridges are sealed and held in place by a patented spring-loaded door and reinforced three rod support cage. This patented door assembly makes cartridges changes quick and easy, insures proper cartridge tensions, and insures a positive seal. Ownership of an SDC SL-Series collector can expect to enjoy a longer filter life and a lower cost of ownership.

SL Series Horizontal Cartridge Collector



STANDARD FEATURES

- Patented Cleaning Nozzle Technology.
- Compressed Air Required: 90 – 100 PSI. Must be clean and dry.
- Internal Inlet Baffles.
- All units designed for Indoor/Outdoor use.
- 12 gauge steel bin and hopper, reinforced to withstand ± 20 IWC static pressure.
- Solid state timer pre-wired in NEMA 4 enclosure (110 V).
- One full set of Duratex or Duratex II cartridges (99.99% efficiency).
- Welded construction. Designed for 100 MPH winds, and Zone 3 seismic loads.
- 55 degree hopper with squared flanged discharge, clearance of 42". Sized for a slide gate or 55 gallon drum adapter.
- No tool cartridge removal.
- Zinc oxide primer on the interior and exterior, and an exterior finish of industrial enamel (color is tan or graphite).
- One differential pressure gauge with dust trap and connecting hardware.

We can also assist with meeting NFPA and OSHA Standards.



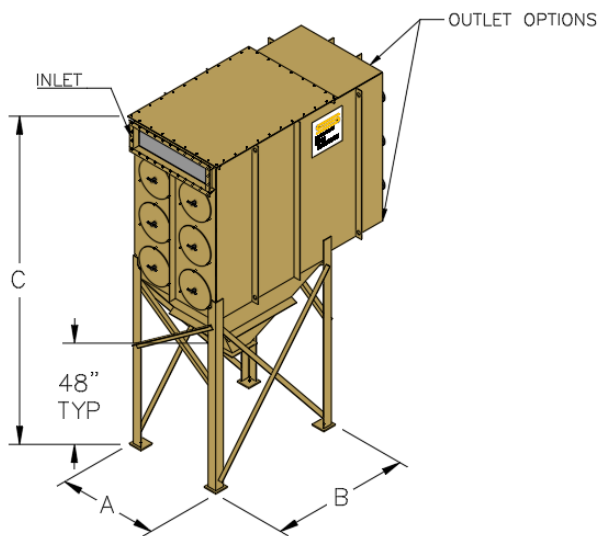
SCIENTIFIC
DUST COLLECTORS

4101 W. 126th Street + Alsip, IL 60803 USA
ph 708-597-7090 + fx 708-597-0313

www.scientificdustcollectors.com
A Venturedyne Ltd. Company

SL Series

MODEL	"A"	"B"	"C"	INLET SIZE	OUTLET SIZE DIA	QTY. VALVES	COMPRESSED AIR USAGE	TOTAL WEIGHT (LBS)
SL1-4	40"	57"	110"	10" x 38"	20" x 20"	2	0.6 - 2.2	2,000
SL1-6	61"	57"	113"	10" x 38"	20" x 20"	3	0.8 - 3.4	2,100
SL2-8	40"	57"	130"	10" x 38"	20" x 20"	4	1.1 - 4.5	2,500
SL2-12	61"	57"	133"	10" x 38"	20" x 20"	6	1.7 - 6.7	3,100
SL3-12	40"	57"	150"	10" x 38"	20" x 20"	6	1.7 - 6.7	3,000
SL4-16	40"	57"	172"	12" x 38"	20" x 20"	8	2.2 - 8.8	3,600
SL3-18	61"	57"	155"	12" x 40"	20" x 24"	9	2.5 - 10.0	3,900
SL4-24	61"	57"	177"	14" x 46"	20" x 32"	12	3.4 - 13.4	4,500



LEGEND:

Example: SL2-8

- SL – Model
- 2 – Number of Rows High
- 8 – Number of Filters

Larger Models Available

ALL DIMENSIONS AND WEIGHTS ARE APPROXIMATE, AND ARE TO BE USED FOR REFERENCE ONLY.



SCIENTIFIC
DUST COLLECTORS

4101 W. 126th Street + Alsip, IL 60803 USA
ph 708-597-7090 + fx 708-597-0313

www.scientificdustcollectors.com
A Venturedyne Ltd. Company