

SMVT

VERTICAL MULTI-STAGE PUMPS



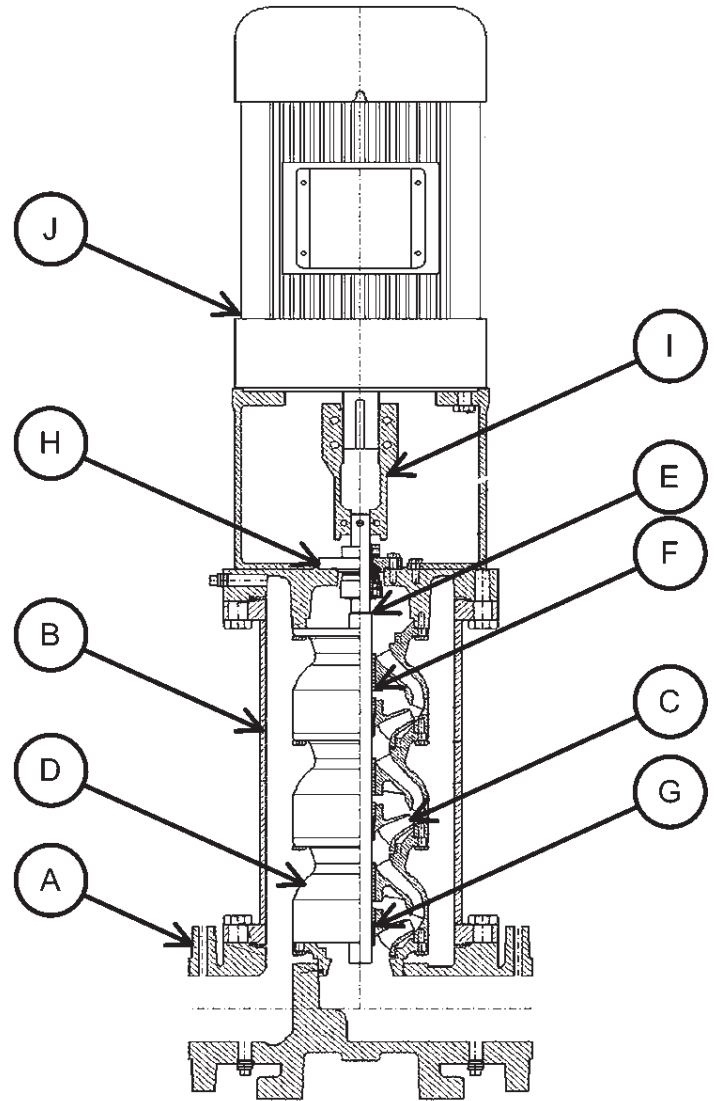
BRSMT

Goulds Water Technology

Vertical Multi-Stage Pumps

SMVT Construction Highlights:

- A. Pump Body: Designed for in-line piping connection complete with ANSI raised flanges.
- B. Casing: Heavy wall steel or stainless steel casing capable of withstanding pressures up to 450 PSI.
- C. Impeller: Features a high-efficiency Francis-type impeller made from stainless steel, suitable for potable water applications.
- D. Diffuser Bowl: Utilizes a high-efficiency turbine bowl design. Cast Iron bowls are glass-lined for maximum efficiency and wear protection.
- E. Pump Shaft: Type 416 stainless steel provides superior strength and corrosion resistance. Shaft is ground and polished to provide a smooth bearing surface.
- F. Bearings: Reliable long-life bronze bearing at each stage.
- G. Taper Lock: Impellers are held in position by a positive-locking taper collet.
- H. Mechanical Seal: Cartridge-type seal for easy installation.
- I. Shaft Coupling: Two-piece design with additional space provided for seal removal without having to remove the motor. Coupling is precision balanced for vibration-free operation.
- J. Electric Motor: Standard NEMA C-face close-coupled design. Generously sized thrust bearing to carry the maximum hydraulic thrust loads under all operating conditions.



Materials of Construction:

Component Description	Material	ASTM Specifications
Motor Support	Cast Iron	A48 Class 30
Shaft Coupling	Cast Iron	A48 Class 30
Mechanical Seal	Type 316SS, Carbon Silicon Carbide	
Seal Cover	Cast Iron	A48 Class 30
Casing	Steel of Type 316SS	A53 Grade A or A312 S31600
O-ring	Nitrile	D2000 2BG715B14
Pump Shaft	Type 416SS	A582 S41600
Intermediate Bowl	Cast Iron	A48 Class 30

Component Description	Material	ASTM Specifications
Bowl Bearing	Bronze	B854 C90300
Impeller	Type 316SS	A744 CF8M
Taperlock	Type 316SS	A276 S31600
Suction Cover	Cast Iron	A48 Class 30
Pump Body	Cast Iron	A48 Class 30
Hex Head Capscrew	Steel	SAE J429 Gr. 8
Socket Head Capscrew	Steel	SAE J429 Gr. 8
Washer	Steel	A108 G10180
Pipe Plug	Malleable Iron	A197

Proven Turbine Technology Innovative Multi-Stage Design

Major enhancements to an already technologically industry-leading design reflect Goulds Water Technology commitment to driving innovation in the pump industry.



Unrivaled Lead Times:

Offered as a pre-engineered product with construction options, the SMVT leverages high-quality stock turbine components and boasts new pump lead times that are unmatched by competing technologies. Replacement kits and readily available aftermarket repair parts help customers to minimize costly equipment downtime.

Bolted-Flange Assembly:

New flanged casing design eliminates the need for special tools and allows the SMVT to be assembled and disassembled using a standard wrench. The bolted-flange assembly also allows for easy alignment of the motor support windows, important when packaging multiple units. Lastly, the ability to unbolt the flanged casing from the suction/discharge pump body saves customers time and money by making it possible for the SMVT to be serviced in the field without disturbing the system piping arrangement.

Motor Coupling:



Two-piece shaft coupling allows for replacement of mechanical cartridge-type seal without removing motor. Coupling is precision balanced for vibration-free operation.

Enhanced Impeller:

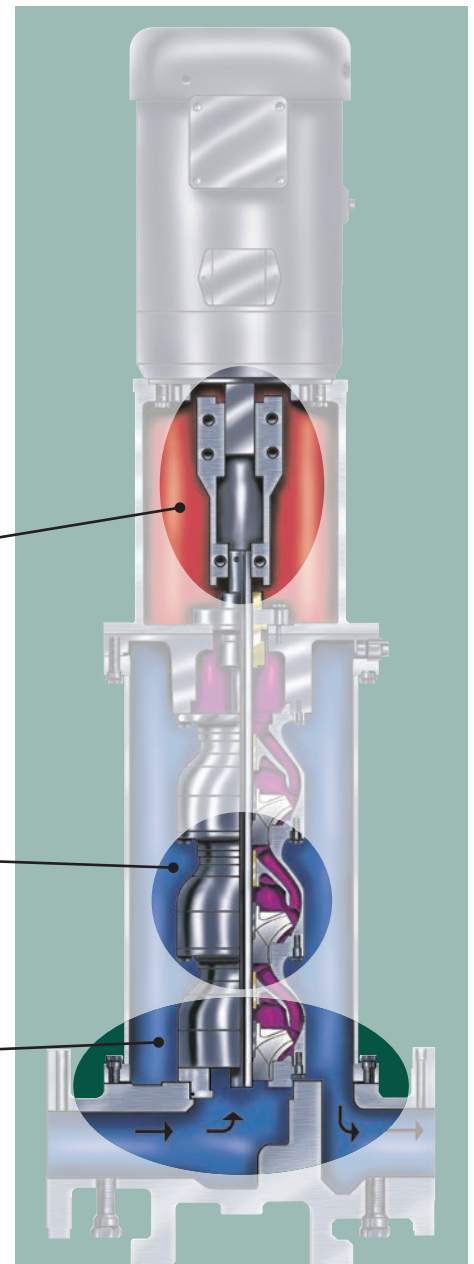


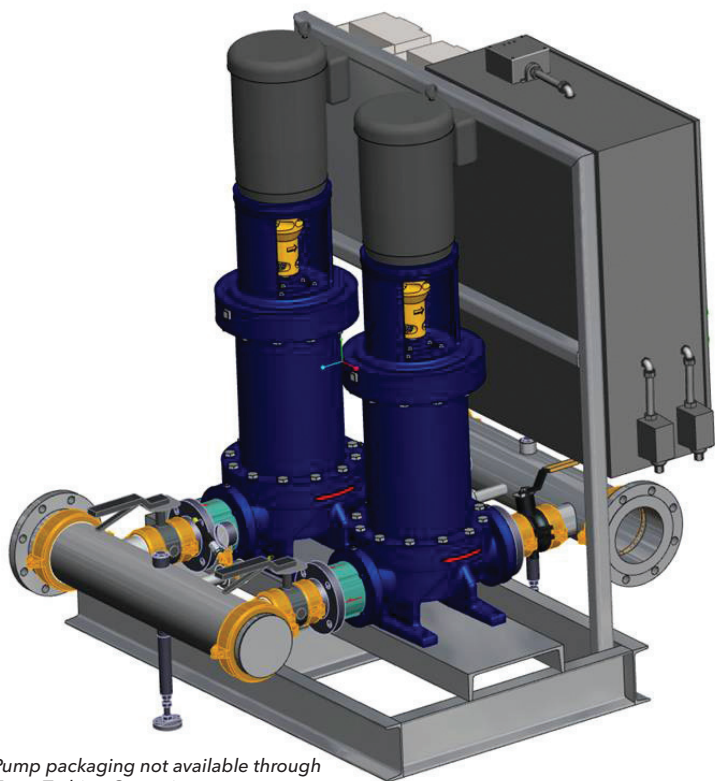
The redesign of this unit includes enhanced impeller metallurgy as standard, investment cast stainless steel, making it suitable for potable water applications.

Slip-fit Suction Cover:



Smart new slip-fit suction cover all but eliminates the negative impact of tensile stresses. This feature maximizes the service life of the pump, especially in applications with frequent on/off cycles.





Pump packaging not available through Texas Turbine Operations.

While the small footprint, low profile, and inline piping connections of this pump make it ideal for limited space environments and packaging, the SMVT's high efficiency performance and heavy duty turbine pump design make it a great solution for many additional applications.

Applications:

- Commercial: Booster Units, High-Rise Building Water, HVAC.
- Municipal: Package Pump Stations, Booster Stations, Water Treatment.
- Irrigation: Turf Irrigation, Golf Courses, Stadiums, Greenhouses/Nurseries, Sprinkler Systems.

Specifications: 3500 RPM

Model	GPM Range	BEP	Head Range	HP Range	Suction/Discharge Size
SM1	50-225	170	50-880	5-40	3"
SM2	50-300	230	80-880	7.5-50	3"
SM3	100-500	400	60-750	10-75	4"
SM4	200-600	480	70-520	15-75	4"
SM5	200-700	580	40-600	10-75	4"
SM6	200-850	700	50-400	15-60	4"



Xylem Inc.
 PO Box 5487, Lubbock, TX 79408
Lubbock Customer Service Center
 Phone: 1-806-763-7867
 Fax: 1-806-743-5730
www.xylem.com/brands/gouldswatertechnology

Goulds is a registered trademark of Goulds Pumps, Inc. and is used under license.
 © 2012 Xylem Inc. BRSMVT January 2012