

SPJ-H Series

The SPJ-H Series* Horizontal Dust Collector is a heavy duty reverse pulse-jet dust collector that eliminates flow-restricting venturis, and utilizes our *patented cleaning nozzle technology*. The cleaning system yields a reliable and efficient collector that requires fewer bags, and prolongs bag life. This reduces overall maintenance and operating costs while operating a smaller overall collector.

SPJ-H Series Baghouse



*SPJ-H Series is a Horizontal Baghouse designed for low headroom applications.

STANDARD FEATURES

- Patented Cleaning Nozzle Technology.
- High Side Baffled Inlet with drop out area.
- Wide bag spacing: 2.5" – 3" between bags.
- 12 gauge hot rolled steel housing, reinforced to withstand ± 20 IWC.
- Standard structure designed to withstand 100 MPH winds + Zone 3 Seismic loads.
- Solid state timer pre-wired in NEMA 4 enclosure (110 V).
- 60° hopper with square discharge, flanged and pre-drilled for auxiliary equipment.
- Compressed air manifold mounted with pipe couplings on both ends for easy connection of air supply.
- Compressed air required: 90-100 psi. Must be clean and dry.
- Designed for Indoor/Outdoor use.
- Hopper discharge clearance of 42" (variable clearance heights available). Sized for slide gate and 55 gallon drum adapter.
- Flanged pre-drilled inlet, and flanged pre-drilled outlet.
- Hinged door assembly for access to purge tubes, bags and cages.
- One full set of filter bags and wire cages.
- Zinc oxide primer on the interior and exterior, and an exterior finish of industrial enamel (color is tan or graphite).
- One differential pressure gauge with dust trap and connecting hardware.
- Side wall hopper door, and bag support area access door.

We can also assist with meeting NFPA and OSHA Standards.



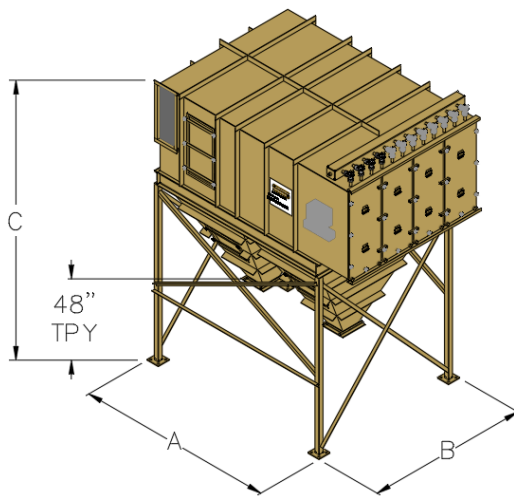
SCIENTIFIC
DUST COLLECTORS

4101 W. 126th Street + Alsip, IL 60803 USA
ph 708-597-7090 + fx 708-597-0313

www.scientificdustcollectors.com
A Venturedyne Ltd. Company

SPJ-H Series

| MODEL | "A" | "B" | "C" | INLET SIZE | OUTLET SIZE DIA | QTY. VALVES | CLEANING AIR SCFM REQD. | TOTAL WEIGHT (LBS) |
|--------------|------|------|------|------------|-----------------|-------------|-------------------------|--------------------|
| SPJ-42-X4H8 | 152" | 61" | 147" | 18" x 22" | 18" x 22" | 7 | 1.7 - 9.8 | 3,200 |
| SPJ-48-X4H8 | 152" | 69" | 149" | 18" x 26" | 18" x 26" | 8 | 2.0 - 9.8 | 3,600 |
| SPJ-54-X4H8 | 152" | 76" | 155" | 18" x 30" | 18" x 30" | 9 | 2.2 - 9.8 | 3,800 |
| SPJ-60-X4H8 | 152" | 84" | 162" | 18" x 32" | 18" x 32" | 10 | 2.5 - 13.1 | 4,100 |
| SPJ-66-X4H8 | 152" | 91" | 168" | 18" x 36" | 18" x 36" | 11 | 2.7 - 13.1 | 4,400 |
| SPJ-72-X4H8 | 152" | 99" | 175" | 18" x 38" | 18" x 38" | 12 | 3.0 - 13.1 | 4,800 |
| SPJ-80-X4H8 | 170" | 84" | 168" | 32" x 22" | 22" x 32" | 10 | 3.3 - 13.1 | 5,500 |
| SPJ-88-X4H8 | 170" | 91" | 184" | 32" x 26" | 22" x 38" | 11 | 3.6 - 13.1 | 6,000 |
| SPJ-96-X4H8 | 170" | 99" | 190" | 32" x 28" | 22" x 42" | 12 | 3.9 - 13.1 | 6,500 |
| SPJ-104-X4H8 | 170" | 106" | 196" | 32" x 30" | 22" x 44" | 13 | 4.3 - 19.6 | 6,800 |
| SPJ-112-X4H8 | 170" | 114" | 203" | 32" x 32" | 22" x 48" | 14 | 4.6 - 19.6 | 7,400 |
| SPJ-120-X4H8 | 170" | 121" | 209" | 32" x 36" | 22" x 54" | 15 | 4.9 - 19.6 | 7,800 |



LEGEND:

Example: SPJ-42-X4H8

- SPJ – Model
- 42 – Number of Bags
- H – Horizontal Bags
- 8 – Length of Bags (ft)

Larger Models Available

ALL DIMENSIONS AND WEIGHTS ARE APPROXIMATE, AND ARE TO BE USED FOR REFERENCE ONLY.



SCIENTIFIC
DUST COLLECTORS

4101 W. 126th Street + Alsip, IL 60803 USA
ph 708-597-7090 + fx 708-597-0313

www.scientificdustcollectors.com
A Venturedyne Ltd. Company