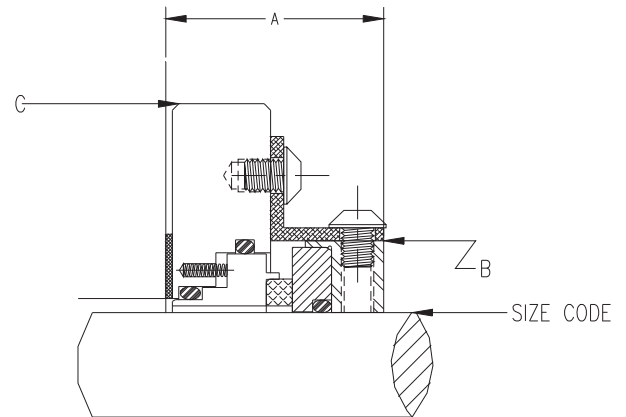


STYLE 19



STYLE 20

SEAL SIZE	FLUIDOL SIZE CODE	A OVERALL LENGTH	B ROTARY O.D.	C GLAND O.D.	MIN. 3/8 BOLTS	BOLT 1/2 BOLTS	CIRCLE 5/8 BOLTS
.500	008	2.250	1.875	3.980	2.625	2.875	
.625	010	2.250	2.000	3.980	2.750	3.000	
.750	012	2.250	2.125	3.980	2.875	3.125	
.875	014	2.250	2.250	3.980	3.000	3.250	
1.000	016	2.250	2.375	4.980	3.125	3.375	
1.125	018	2.250	2.500	4.980	3.250	3.500	
1.250	020	2.250	2.625	4.980	3.375	3.625	
1.375	022	2.250	2.750	5.480	3.500	3.750	
1.500	024	2.250	2.875	5.480	3.625	3.875	
1.625	026	2.250	3.000	5.480	3.750	4.000	
1.750	028	2.250	3.125	5.980	3.875	4.125	
1.875	030	2.250	3.250	5.980	4.000	4.250	
2.000	032	2.250	3.375	5.980	4.125	4.375	4.625
2.125	034	2.250	3.500	6.480	4.250	4.500	4.750
2.250	036	2.250	3.625	6.480	4.375	4.625	4.875
2.375	038	2.250	3.750	6.480	4.500	4.750	5.000
2.500	040	2.250	3.875	6.480	4.625	4.875	5.125
2.625	042	2.250	4.000	6.980	4.750	5.000	5.250
2.750	044	2.250	4.125	6.980	4.875	5.125	5.375
2.875	046	2.250	4.250	6.980	5.000	5.250	5.500
3.000	048	2.375	4.375	7.980	5.125	5.375	5.625
3.125	050	2.375	4.500	7.980	5.250	5.500	5.750
3.250	052	2.375	4.625	8.480	5.375	5.625	5.875
3.375	054	2.375	4.750	8.480	5.500	5.750	6.000
3.500	056	2.375	4.875	8.980	5.625	5.875	6.125
3.625	058	2.375	5.000	8.980	5.750	6.000	6.250
3.750	060	2.375	5.125	9.480	5.875	6.125	6.375
3.875	062	2.375	5.250	9.480	6.000	6.250	6.500
4.000	064	2.375	5.375	9.980	6.125	6.375	6.625
4.125	066	2.375	5.500	9.980	6.250	6.500	6.750
4.250	068	2.375	5.625	10.480	6.375	6.625	6.875
4.375	070	2.375	5.750	10.480	6.375	6.625	6.875
4.500	072	2.375	5.875	10.980	6.625	6.875	7.125
4.625	074	2.375	6.000	10.980	6.750	7.000	7.250
4.750	076	2.375	6.125	11.480	6.875	7.125	7.375

2125 So. James Rd. • Columbus, Ohio 43232

Phone: 614-239-7811 • Fax: 614-239-7850 • www.fluidol.com • email: fluidol@sps-inc.com