

Type VA

Direct Drive, Vane Axial Fan



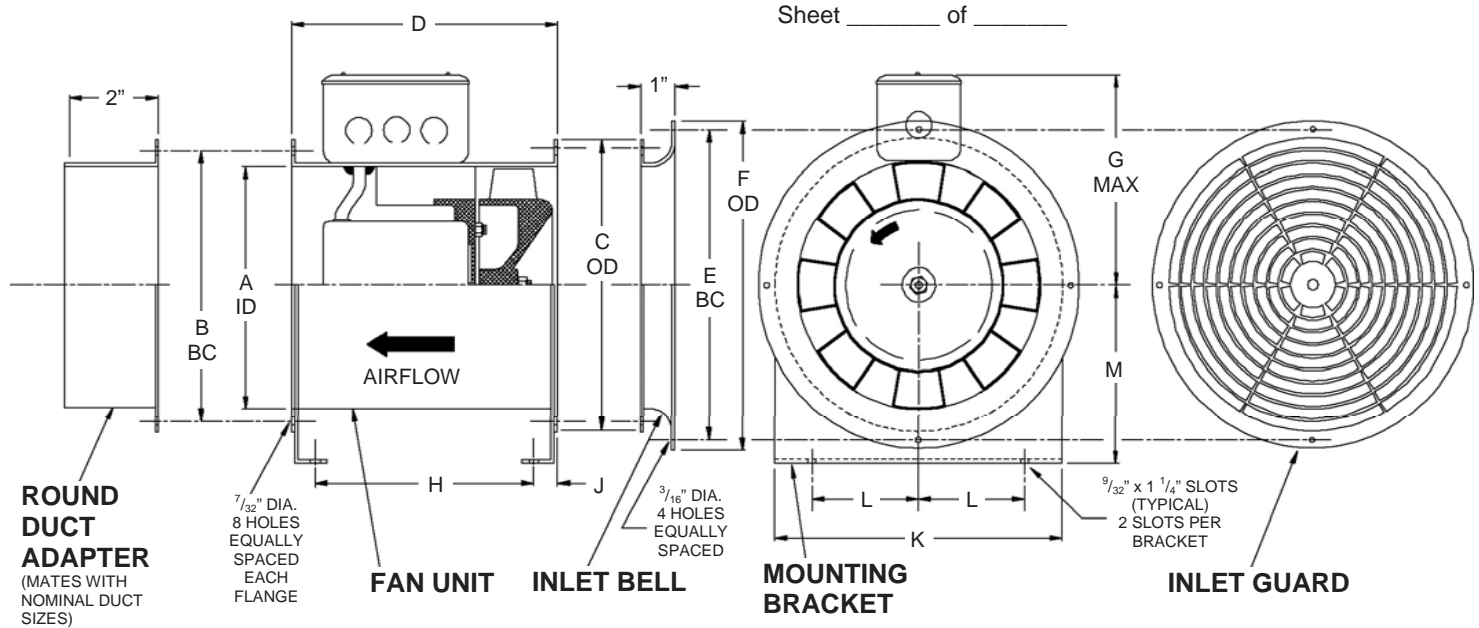
P.O. Box 2300 Jacksonville, Florida 32203
 Phone: (904) 389-3646
 Fax: (904) 387-3449 • (904) 381-7560
 E-mail: info@coolair.com
 Internet: www.americancoolair.com

Standard Fan Features

- Supply or exhaust (turn entire fan for required flow direction)
- Install in any position
- Extremely compact
- Heavy cast aluminum rotor and vane
- Spun aluminum housing
- Motors have permanently lubricated ball bearings
- UL Listed for Standard 705 (most models)

Abbreviations for Accessories

- IBG – Inlet bell with guard
 DA – Duct adapter
 MB – Mounting bracket
 SBD – Sliding band damper
 BP – Baryfol pad
 EPX – 6 mil epoxy finish



ALL ITEMS NAMED ABOVE EXCEPT FAN ARE OPTIONAL ACCESSORIES

FAN MODEL	DIMENSIONS IN INCHES												APPROX. SHIP. WT.
	A	B	C	D	E	F	G	H	J	K	L	M	
VA6	6	7	7 1/2	6 3/4	7 3/4	8 1/4	5 5/8	5 9/16	19/32	7	2 1/4	4 5/8	9
VA7	7	8	8 1/2	6 3/4	8 3/4	9 1/4	6 1/8	5 9/16	19/32	8	2 3/4	5 1/8	12
VA8*	8	9	9 1/2	10 1/4	9 3/4	10 1/4	6 5/8	9	5/8	9	3 1/4	5 5/8	21
VA85*	8 1/2	9 1/2	10	10 1/4	10 1/4	10 3/4	6 7/8	9	5/8	9 1/2	3 1/2	5 7/8	22
VA9	9	10	10 1/2	10 1/4	10 3/4	11 1/4	7 1/8	9	5/8	10	3 3/4	6 1/8	23
VA95	9 1/2	10 1/2	11	10 1/4	11 1/4	11 3/4	7 3/8	9	5/8	10 1/2	4	6 3/8	24
VA10	10	11	11 1/2	10 1/4	11 3/4	12 1/4	7 5/8	9	5/8	11	4 1/4	6 5/8	25

* - Use of explosion-proof motors will affect above dimensions. Contact your local Coolair representative for further information.

Specifications

FAN NO.	QTY.	FAN DATA					MOTOR DATA						ACCESSORIES AND REMARKS
		MODEL NO.	CFM	SP	RPM	SONES	HP	RPM	VOLTAGE	PH	HZ	ENCLOSURE	

PROJECT _____ ENGINEER _____ SUBMITTED BY _____ DATE _____
 LOCATION _____ CONTRACTOR _____ APPROVED BY _____ DATE _____