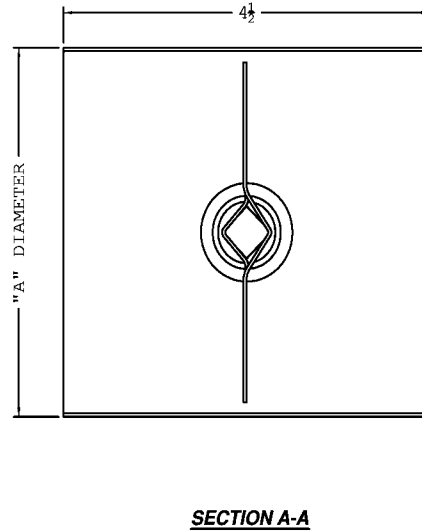
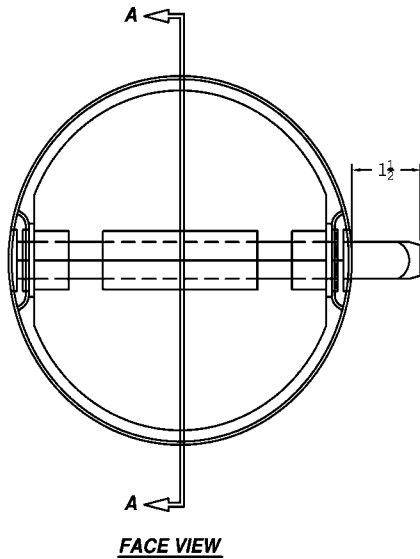


# VOLUME CONTROL BALANCING DAMPER, SINGLE THICKNESS BLADE, GALVANIZED STEEL, 1" W.G., 1500 F.P.M.



AWV ITEM No.	QUANTITY	"A" DUCT DIAMETER	304 S.S. CONSTRUCTION	316 S.S. CONSTRUCTION	ALUMINUM FRAME & BLADE & BEARINGS	POLYFOAM FRAME STOPS	OPTIONS	
								COMMENTS

SPECIFICATIONS

**FRAME:** 4-1/2" DEEP, 20 GAUGE GALVANIZED STEEL (4"-18 DIA.).  
20 GAUGE GALVANIZED STEEL WITH REINFORCING BEADS OR 18 GAUGE GALVANIZED STEEL (19"-24" DIA.).

**BLADE:** GALVANIZED STEEL, SINGLE THICKNESS;  
22 GAUGE FROM 4" TO 12" DIAMETER.  
20 GAUGE FROM 13" TO 18" DIAMETER.  
16 GAUGE FROM 19" TO 24" DIAMETER.

**AXLES:** 3/8" SQUARE PLATED STEEL STUB, WITH LANCED RETAINERS.

**BEARINGS:** NYLON.

**FINISH:** MILL.

**ACTUATOR:** 3/8" SQUARE MANUAL LOCKING QUADRANT, SHIPPED LOOSE.

NOTES

1. ANY VARIATIONS TO THE STANDARD SPECIFICATIONS MUST BE FACTORY APPROVED IN ADVANCE.
2. MINIMUM DIAMETER: 4".  
MAXIMUM DIAMETER: 24".  
DAMPER CAN ONLY BE ORDERED IN 1" INCREMENTS.
3. DIMENSIONS: "A" DIAMETER DIMENSION IS OPENING SIZE.  
DAMPER WILL BE FABRICATED 1/4" UNDERSIZE.
4. THIS MODEL IS NOT RECOMMENDED FOR MOTORIZED APPLICATIONS.
5. UNIT HAS ONLY ONE BLADE AND WILL EXTENDED INTO THE AIRSTREAM IN MOST CASES.
6. UNITS MAY BE MOUNTED VERTICALLY OR HORIZONTALLY.

REV.	DESCRIPTION	DATE	BY						
DATE:									
AWV PROD. No.:									
PROJECT:									
CUSTOMER / ORDER No.:									
ARCH. / ENGR.:									
AGENT / ORDER No.:									
<b>american warming and ventilating</b> <b>A MESTEK COMPANY</b> 7301 INTERNATIONAL DRIVE HOLLAND, OHIO									
<b>VC-9 ROUND BALANCING DAMPER</b>									
DRN. BY	BET	DWG. NO.		REV.					
DATE		11-14-02		VC-9-1					