

HUBER Multi-Rake Bar Screen VersaMax[®]

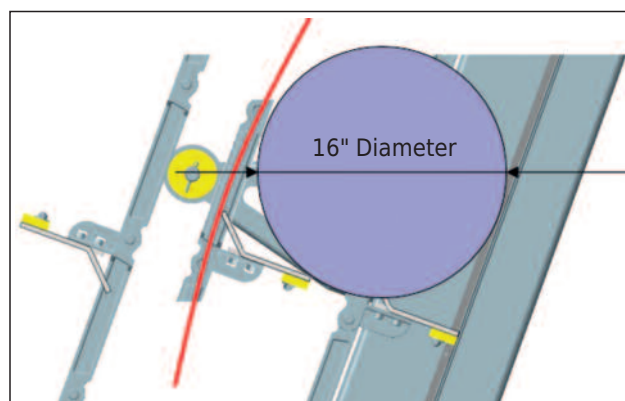


Reliable, sturdy travelling screen

- No lower bearing, sprockets, bushings or guides
- The chain forms his own frame and at the bottom its own lower sprocket
- Capable of picking up large objects

➤➤ HUBER VersaMax® Features

- Replaceable individual bar rack magazines (teardrop bar profile)
- Edged rakes to increase removal volume, prevent screenings carryover and from falling back into the influent
- No submerged wear items
- 24/7 operation possible
- Cast stainless steel links (no chain rollers)
- Optional enclosure for odor-encasing.
- Automatic scraper mechanism, no service water or additional drives required



Suitable for picking up large objects

➤➤ The Benefits of the HUBER VersaMax® at a glance

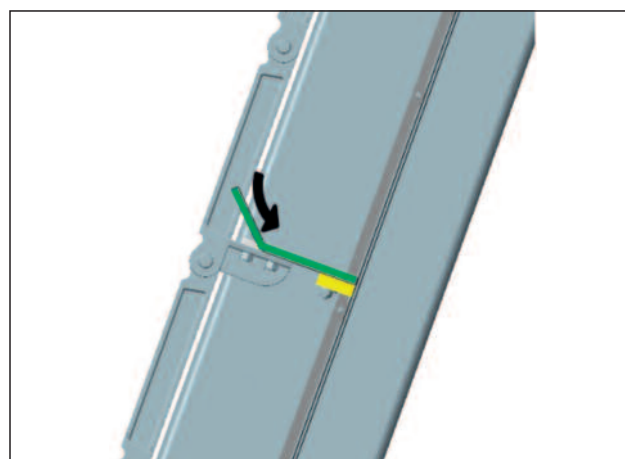
- Ability to remove objects up to 16" diameter from the influent
- Simple and sturdy design that requires less manual attention and servicing
- Can be paired with HUBER's proven lineup of washer/compactors, sluice trough designs and conveyors for an all-in-one solution
- Not hindered by gravel or grit
- Easy-to-retrofit into existing channels, installation without channel recesses possible
- No lower bearing, sprockets, bushings or guides
- All stainless steel in contact with medium are fully immersed in a pickling bath for maximum corrosion resistance.



The chain forms its own frame! It works similar to a knee or elbow.

➤➤ Screen sizes

Channel Width:	12" to 8'
Discharge Height:	up to 40'
Bar Spacing:	1/4" to 2"
Installation Angle:	60 to 80° (5° increments)



Edged rakes to increase removal volume, prevent screenings carryover and ensure a smooth stripping process

HUBER TECHNOLOGY, Inc.

9735 Northcross Center Court, Ste. A Huntersville, NC 28078
Phone: 704-949-1010 - Fax: 704-949-1020
solutions@hhusa.net - <http://www.hubertechnology.com>

Subject to technical modification
0,05 / 1 – 9.2019 – 9.2019

HUBER Versatile-Rake Bar Screen VersaMax®